

 **MENNEKES®**

Plugs for the world



North American  
Edition





Excellent brand  
quality.  
Innovation.  
Reliability.

“I only use the highest quality  
products which can withstand  
the toughest conditions.”

 **MENNEKES®**

Plugs for the world



# Table of contents



## About us

Contact Us	4
Family business	5



## Wiring Devices 60309 - Pin and Sleeve

Product Information and Specifications	6 - 11
Receptacles and Inlets	12 - 19
Plugs and Connectors	20 - 23
Dual-Listed Receptacles, Inlets, Plugs and Connectors	24 - 25
Marine Grade, Standard and Reverse Service Devices	26 - 27



## Custom Power Distribution

Product Information	28 - 31
AMAXX® Receptacle Combinations	32 - 47
Portable Power Distribution	48
SpecMAXX Stainless Steel Power Distribution	49



## Switched and Interlocked Receptales

Product Information	50 - 51
LockOUT-LET Series	52 - 54
FCB Window Series	55
HMI Series	56
SPEC Grade Stainless Steel Series	57



## Motor Disconnect Switches and Specialty Enclosures

Product Information	58 - 59
HDI Series; FDS Non-Metallic Series	60 - 61
SPEC Grade Stainless Steel Series; ST Stainless Steel Series	62 - 63
STF Stainless Steel Series; MS Series; FS Series	64 - 66
SPEC Grade Stainless Steel Pushbutton Enclosures and Junction Boxes	67



## UL 1686 Configured Switched Receptacles and Plugs

Product Information	68 - 69
MSR Series	70 - 71
AM-Tite Series	72



## Accessories & Replacement Parts

73 - 74



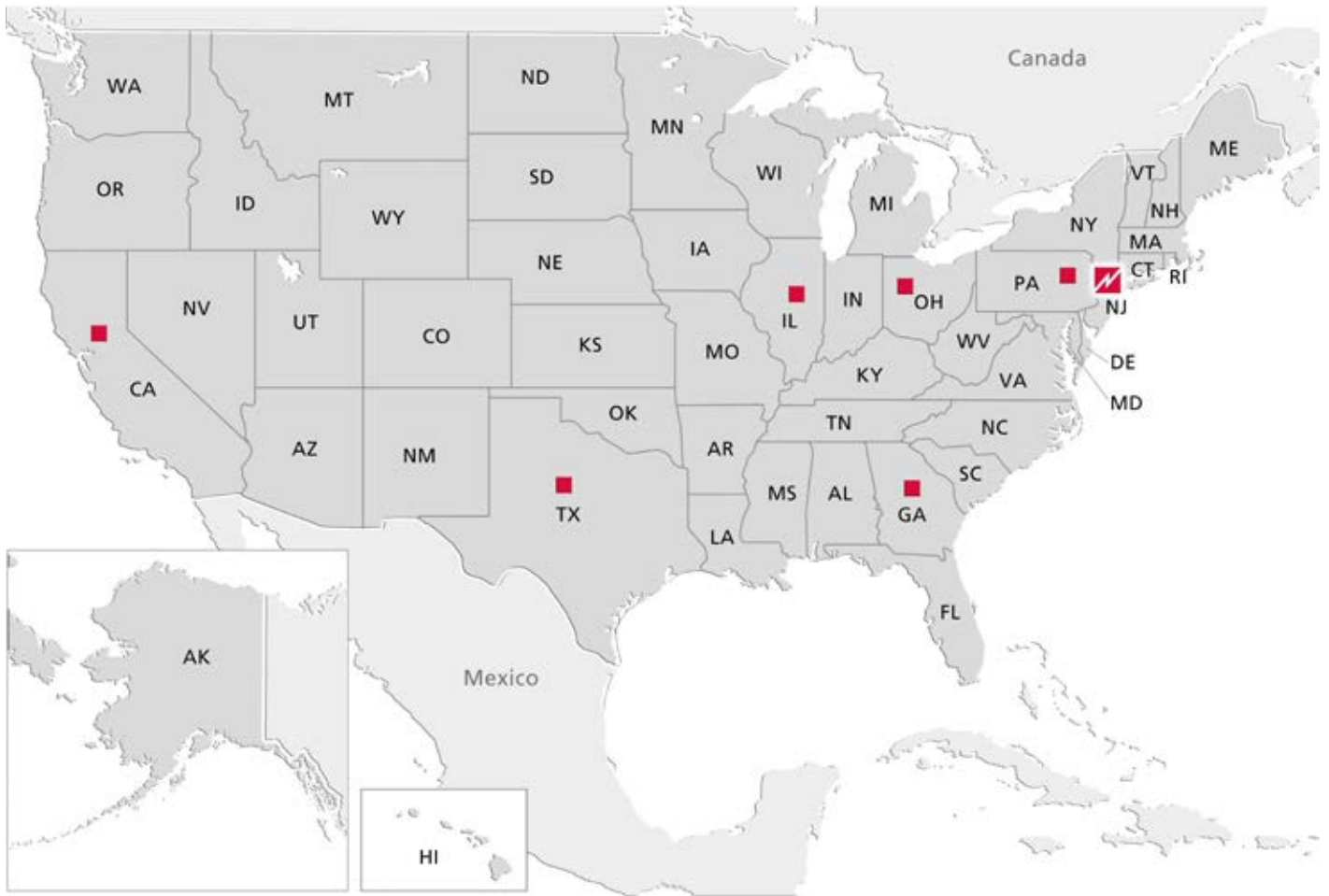
## Service

Proven Quality	75
Industry Applications	76 - 77
Index	78 - 79



# About Us

## Contact Us



### **MENNEKES Electrical Products**

277 Fairfield Road  
Fairfield, NJ 07004  
Main Phone: 800-882-7584  
Fax: 973-882-5585  
General email: [info@MENNEKES.com](mailto:info@MENNEKES.com)

### **To Place an Order**

#### **Domestic & International**

800-882-7584  
[orders@MENNEKES.com](mailto:orders@MENNEKES.com)

### **Product Pricing & Availability**

#### **Domestic & International**

800-882-7584  
[info@MENNEKES.com](mailto:info@MENNEKES.com)

### **Customer Service & Technical Support**

#### **Customer Service Department**

800-882-7584

# About Us

## Family business



MENNEKES Corporate Offices located in Kirchhundem, Germany.

MENNEKES is a family-run business. Personal relationships are the core of our business, which is why our focus has always been our customers.

At MENNEKES, a 1,000-strong global workforce produces plugs and receptacles for international markets from our two manufacturing facilities in Germany. Our headquarters is located in Kirchhundem, Germany, with a second manufacturing facility in Neudorf, located in the Erzgebirge area of Germany.

MENNEKES North America was established in 1987 and is headquartered in Fairfield, NJ, with sales offices throughout the US, Canada and Mexico.

At MENNEKES, we understand the importance of quality power distribution products that are both user-friendly and safe. MENNEKES has drawn on over 80 years of industry leading innovation to provide you with the highest quality product to meet your most demanding challenges in an ever-changing global marketplace.



From grandfather, to father, to son: What the company's founder, Aloys Mennekes, started in 1935 is continued today jointly by Walter Mennekes and his son Christopher Mennekes.



MENNEKES Electrical Products was established in the US more than 25 years ago and is still managed today by Thomas Bodnar (VP - General Manager) and Paul DiAntonio (VP - Sales & Marketing).

# Wiring Devices - Series 60309 Pin and Sleeve

Product information



Unique features.  
Versatile.  
Safe.



# Wiring Devices - Series 60309 Pin and Sleeve

## Product information ■ Specifications

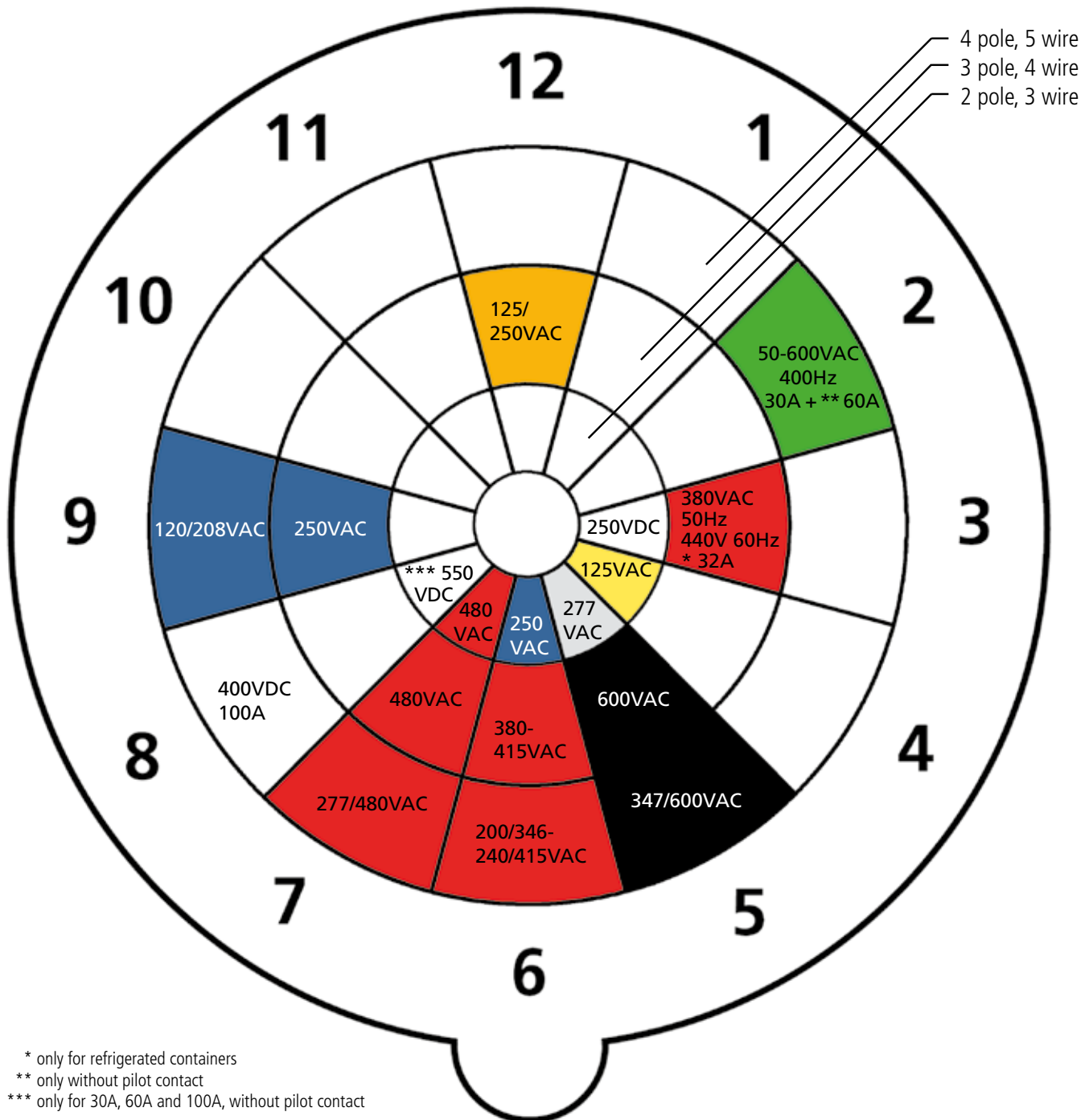
### Clock positions for North America<sup>+</sup>

per UL 1686 C2

#### Making a connection is easy

A clock face is used to represent the grounding contact position for all female connectors and receptacles. With the keyway at the bottom, the female grounding contact will appear at one of the twelve hour positions. To identify the system voltage, identify the enclosure color and hour location of the connector or receptacle grounding contact.

<sup>+</sup> See our full-line International Wiring Device Catalog for Series 1 International Configurations.



# Wiring Devices - Series 60309 Pin and Sleeve

## Product information

**MENNEKES offers a wide range of Wiring Devices for various applications.**

### Features and benefits

#### Connectors

In-line connectors feature dead-front construction for safety and use split brass contact sleeves.

Molded-in-place cover gasket on 60A and 100A PowerTOP Xtra covers assures long lasting watertight seal.

Field replaceable flip lid covers and locking rings.



Same screwdriver type can be used for clamp screws and backed-out terminal screws

Color-coded housing clearly identifies device voltage, consistent with industry standard.

Contact carriers molded from high temperature thermoplastic materials.



#### Receptacles

Offered in compact footprint and "L" Series to match Industry Standard mounting dimensions. Oversized ground sleeve positioned to specific voltage configuration preventing mismatching of different voltages.



# Wiring Devices - Series 60309 Pin and Sleeve

## Product information

### Plugs

In-line plugs feature non-metallic housings with locking rings and sealing gasket for UL Type 4X protection.



### Inlets

Ideal for generator or motor plug interface, can be panel mounted or used with a back box. Units offered in compact footprint or "L" series to match industry standard mounting dimensions.

# Wiring Devices - Series 60309 Pin and Sleeve

## Product information ■ Specifications

Ordering is easy					
ME	4	20	R	7	W*
Prefix	1st digit	2nd-4th digit	1st letter	Last digit	Last letter
ME = MENNEKES	3 = 3 Wire 4 = 4 Wire 5 = 5 Wire	20 = 20 Amp. 30 = 30 Amp. 60 = 60 Amp. 100 = 100 Amp.	P = Plug C = Connector R = Receptacle B = Inlet MI = Mechanical Interlock	Clock position of female grounding contact	W = Watertight
* Omit W for Splashproof version					

Material Specifications				
Component Part	Receptacle	Plug	Connector	Inlet
Enclosure & Flange	20A & 30A PBT/PC 60A & 100A PC/PET		20A & 30A Type 6 Nylon	PC/PET
Front Housing	100A PC; Nylon/ABS	20A & 30A Type 6 Nylon 60A & 100A PBT/PC and TPE Rubber and POM	60A & 100A PBT/PC	20A & 30A Type 6 Nylon 60A & 100A Type Nylon/ ABS
Back Body		20A & 30A Type 6 Nylon 60A & 100A PBT/PC and TPE Rubber	60A & 100A PBT/PC and TPE Rubber and POM	
Contact Carrier / Support Isolators	Type 6/6 Nylon	20A & 30A Type 6 Nylon 60A & 100A Type 6/6 Nylon	Type 6/6 Nylon	20A & 30A Type 6 Nylon 60A & 100A Type 6/6 Nylon
Sleeves	Brass		Brass	
Pins		Brass Nickel Plated		Brass Nickel Plated
Contact Spring on Sleeves	Steel Nickel Plated		Steel Nickel Plated	
Bayonet Ring		20A & 30A PC/PET 60A & 100A PBT/PC and TPE Rubber		PC/PET 100A PBT/PC
Bayonet Gasket		20A & 30A EPDM Rubber 60A & 100A TPE Rubber		20A & 30A EPDM Rubber 60A & 100A NBR Rubber
External Strain Relief		PC/PET	PC/PET	
Cable Seal		EPDM Rubber	EPDM Rubber	
Support Washer for Cord Grip		Steel Zn Passivated	Steel Zn Passivated	
Cover	20A & 30A Type 6 Nylon 60A & 100A PBT/PC		20A & 30A Type 6 Nylon 60A & 100A PBT/PC	
Locking Ring	20A & 30A PBT/PC 60A & 100A PBT/PC and TPE Rubber		20A & 30A PBT/PC 60A & 100A PBT/PC and TPE Rubber	
Cover Spring	Stainless Steel		Stainless Steel	
Rivet	PBT/PC		20A & 30A PBT/PC 60A & 100A Stainless Steel	
Cover Gasket	20A & 30A NBR Rubber 60A & 100A TPE Rubber		20A & 30A NBR Rubber 60A & 100A TPE Rubber	
Flange Gasket	NR Rubber			NR Rubber
Terminal Screws	20A & 30A Steel G3E 60A Brass and Steel Nickel Plated 100A Stainless Steel	20A & 30A Steel G3E 60A Brass and Steel Nickel Plated 100A Stainless Steel	20A & 30A Steel G3E 60A Brass and Steel Nickel Plated 100A Stainless Steel	20A & 30A Steel G3E 60A Brass and Steel Nickel Plated 100A Stainless Steel
Assembly Screws	Stainless Steel; Steel Zn Passivated	20A & 30A Stainless Steel	20A & 30A Stainless Steel	Stainless Steel; Steel Zn Passivated

# Wiring Devices - Series 60309 Pin and Sleeve

## Product information ■ Specifications

Compliance & Mechanical			
Ⓢ Standards 1682; 1686-C2 Pin and Sleeve Type; Ⓢ to CSA 22.2 No. 182.2 Watertight: UL Type 4X			
Conforms to IEC Standards 60309-1 and 60309-2 Watertight: IP 67 per IEC 529, Splashproof: IP 54 per IEC 529			
Flame Class Rating per UL94: V0 for Contact Carriers (insulators), HB or better for Enclosures (UV Stabilized)			
Impact Resistance: Units conditioned to -25°C for 6 hours and dropped 8 times from 30"			
Crush: Units conditioned to -25°C for 6 hours and 250 lbs. of force applied for 1 minute.			
Cable Grip Retention (applied to min. & max cable sizes)	Unit	Force, lbs.	Torque, ft. lbs.
	20A	30	0.4
	30A	75	0.5
	60A	150	1.0
	100A	150	1.0

Electrical	
Dielectric Voltage:	3000V maximum
Maximum Working Voltage:	600 RMS
Current Interrupting:	Certified at full-rated current and voltage
Temperature Rise:	Maximum 30°C temperature at full rated current
Overload:	50 cycles at 150% of rated current and 100 % of rated voltage. (Power factor at .75-.80)
Endurance with Load:	(at .75-.80 Power Factor)
	20A - 5,000 mated cycles at full-rated current/voltage.
	30A and 60A - 2,000 mated cycles with full-rated current/voltage applied on every other cycle.
	100A - 500 mated cycles with full-rated current/voltage applied on every other cycle.

UL Locked Rotor Horsepower Ratings					
AC Voltage Rating	Horsepower	Catalog Number			
125	1	ME 320R4W	ME 320P4W	ME 320C4W	ME 320B4W
250	2	ME 320R6W	ME 320P6W	ME 320C6W	ME 320B6W
480	3	ME 320R7W	ME 320P7W	ME 320C7W	ME 320B7W
125/250	1; 2	ME 420R12W	ME 420P12W	ME 420C12W	ME 420B12W
3Ø250	2	ME 420R9W	ME 420P9W	ME 420C9W	ME 420B9W
3Ø480	5	ME 420R7W	ME 420P7W	ME 420C7W	ME 420B7W
3Ø600	7.5	ME 420R5W	ME 420P5W	ME 420C5W	ME 420B5W
3ØY120/208	1.5	ME 520R9W	ME 520P9W	ME 520C9W	ME 520B9W
3ØY277/480	5	ME 520R7W	ME 520P7W	ME 520C7W	ME 520B7W
3ØY347/600	7.5	ME 520R5W	ME 520P5W	ME 520C5W	ME 520B5W
125	2	ME 330R4W	ME 330P4W	ME 330C4W	ME 330B4W
250	2	ME 330R6W	ME 330P6W	ME 330C6W	ME 330B6W
480	5	ME 330R7W	ME 330P7W	ME 330C7W	ME 330B7W
125/250	2	ME 430R12W	ME 430P12W	ME 430C12W	ME 430B12W
3Ø250	3	ME 430R9W	ME 430P9W	ME 430C9W	ME 430B9W
3Ø480	7.5	ME 430R7W	ME 430P7W	ME 430C7W	ME 430B7W
3Ø600	10	ME 430R5W	ME 430P5W	ME 430C5W	ME 430B5W
3ØY120/208	2	ME 530R9W	ME 530P9W	ME 530C9W	ME 530B9W
3ØY277/480	7.5	ME 530R7W	ME 530P7W	ME 530C7W	ME 530B7W
3ØY347/600	10	ME 530R5W	ME 530P5W	ME 530C5W	ME 530B5W
125	2	ME 360R4W	ME 360P4W	ME 360C4W	ME 360B4W
250	3	ME 360R6W	ME 360P6W	ME 360C6W	ME 360B6W
480	10	ME 360R7W	ME 360P7W	ME 360C7W	ME 360B7W
125/250	2; 3	ME 460R12W	ME 460P12W	ME 460C12W	ME 460B12W
3Ø250	7.5	ME 460R9W	ME 460P9W	ME 460C9W	ME 460B9W
3Ø480	15	ME 460R7W	ME 460P7W	ME 460C7W	ME 460B7W
3Ø600	20	ME 460R5W	ME 460P5W	ME 460C5W	ME 460B5W
3ØY120/208	5	ME 560R9W	ME 560P9W	ME 560C9W	ME 560B9W
3ØY277/480	15	ME 560R7W	ME 560P7W	ME 560C7W	ME 560B7W
3ØY347/600	20	ME 560R5W	ME 560P5W	ME 560C5W	ME 560B5W



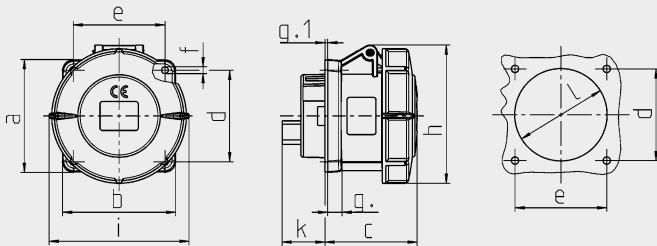
# Wiring Devices - Series 60309 Pin and Sleeve

Receptacles ■ 20A ■ Watertight

## Receptacles 20 Amp



For Back Box Information see page 73.



Wire Configuration	Voltage	Catalog Number
2 Pole 3 Wire	125	ME 320R4W
	250	ME 320R6W
	480	ME 320R7W
3 Pole 4 Wire	125/250	ME 420R12W
	3Ø250	ME 420R9W
	380/415	ME 420R6W
	3Ø480	ME 420R7W
	3Ø600	ME 420R5W
4 Pole 5 Wire	3ØY120/208	ME 520R9W
	200/346 / 240/415	ME 520R6W
	3ØY277/480	ME 520R7W
	3ØY347/600	ME 520R5W

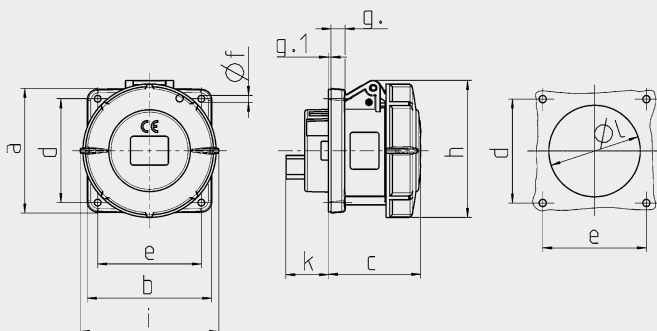
### Approximate Dimensions (in inches)

	Wire Configuration		
	2 Pole, 3 Wire	3 Pole, 4 Wire	4 Pole, 5 Wire
a	3.37	3.37	3.37
b	3.37	3.37	3.37
c	2.28	2.28	2.32
d	2.74	2.74	2.74
e	2.74	2.74	2.74
f	0.22	0.22	0.22
g.	0.39	0.39	0.39
g.1	0.08	0.08	0.08
h	3.11	3.47	3.74
i	3.07	3.35	3.50
k	1.10	1.10	1.10
l	2.76	2.76	2.76

## Receptacles 20 Amp - Large Industry Standard Flange



For Back Box Information see page 73.



Wire Configuration	Voltage	Catalog Number
2 Pole 3 Wire	125	ME 320R4W-L
	250	ME 320R6W-L
	480	ME 320R7W-L
3 Pole 4 Wire	125/250	ME 420R12W-L
	3Ø250	ME 420R9W-L
	380/415	ME 420R6W-L
	3Ø480	ME 420R7W-L
	3Ø600	ME 420R5W-L
4 Pole 5 Wire	3ØY120/208	ME 520R9W-L
	200/346 / 240/415	ME 520R6W-L
	3ØY277/480	ME 520R7W-L
	3ØY347/600	ME 520R5W-L

### Approximate Dimensions (in inches)

	Wire Configuration		
	2 Pole, 3 Wire	3 Pole, 4 Wire	4 Pole, 5 Wire
a	3.75	3.75	3.75
b	3.75	3.75	3.75
c	2.28	2.28	2.32
d	3.16	3.16	3.16
e	3.16	3.16	3.16
f	0.22	0.22	0.22
g.	0.39	0.39	0.39
g.1	0.08	0.08	0.08
h	3.11	3.47	3.74
i	3.07	3.35	3.50
k	1.10	1.10	1.10
l	2.76	2.76	2.76

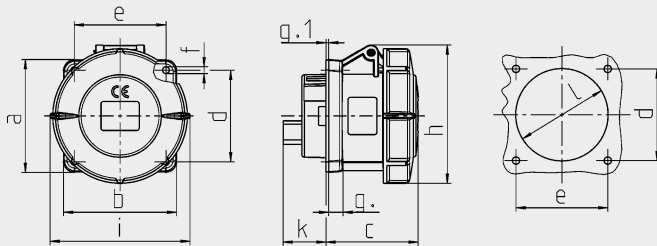
# Wiring Devices - Series 60309 Pin and Sleeve

Receptacles ■ 30A ■ Watertight

## Receptacles 30 Amp



For Back Box Information see page 73.



Wire Configuration	Voltage	Catalog Number
2 Pole 3 Wire	125	ME 330R4W
	250	ME 330R6W
	480	ME 330R7W
3 Pole 4 Wire	125/250	ME 430R12W
	3Ø250	ME 430R9W
	380/415	ME 430R6W
	3Ø480	ME 430R7W
	3Ø600	ME 430R5W
4 Pole 5 Wire	3ØY120/208	ME 530R9W
	200/346 / 240/415	ME 530R6W
	3ØY277/480	ME 530R7W
	3ØY347/600	ME 530R5W

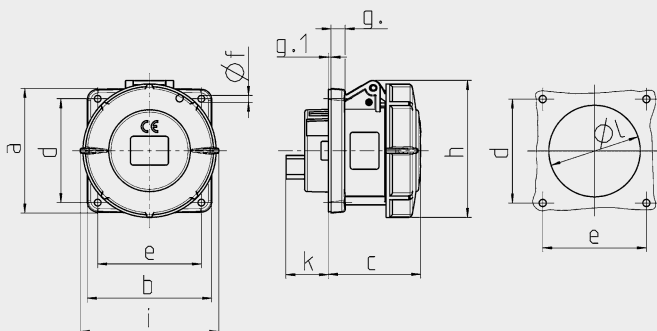
### Approximate Dimensions (in inches)

	Wire Configuration		
	2 Pole, 3 Wire	3 Pole, 4 Wire	4 Pole, 5 Wire
a	3.37	3.37	3.37
b	3.37	3.37	3.37
c	2.80	2.80	2.80
d	2.74	2.74	2.74
e	2.74	2.74	2.74
f	0.22	0.22	0.22
g.	0.39	0.39	0.39
g.1	0.08	0.08	0.08
h	3.40	3.40	4.13
i	4.06	4.06	4.33
k	1.34	1.34	1.34
l	2.76	2.76	2.76

## Receptacles 30 Amp - Large Industry Standard Flange



For Back Box Information see page 73.



Wire Configuration	Voltage	Catalog Number
2 Pole 3 Wire	125	ME 330R4W-L
	250	ME 330R6W-L
	480	ME 330R7W-L
3 Pole 4 Wire	125/250	ME 430R12W-L
	3Ø250	ME 430R9W-L
	380/415	ME 430R6W-L
	3Ø480	ME 430R7W-L
	3Ø600	ME 430R5W-L
4 Pole 5 Wire	3ØY120/208	ME 530R9W-L
	200/346 / 240/415	ME 530R6W-L
	3ØY277/480	ME 530R7W-L
	3ØY347/600	ME 530R5W-L

### Approximate Dimensions (in inches)

	Wire Configuration		
	2 Pole, 3 Wire	3 Pole, 4 Wire	4 Pole, 5 Wire
a	3.75	3.75	3.75
b	3.75	3.75	3.75
c	2.80	2.80	2.80
d	3.16	3.16	3.16
e	3.16	3.16	3.16
f	0.22	0.22	0.22
g.	0.39	0.39	0.39
g.1	0.08	0.08	0.08
h	3.40	3.40	4.13
i	4.06	4.06	4.33
k	1.34	1.34	1.34
l	2.76	2.76	2.76

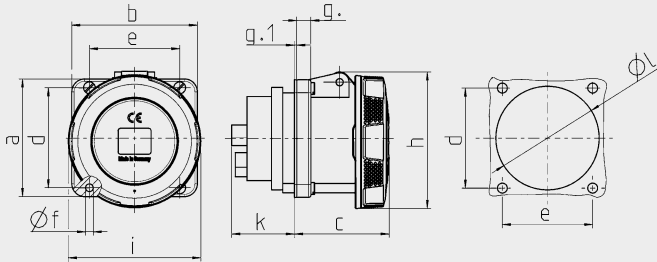
# Wiring Devices - Series 60309 Pin and Sleeve

Receptacles ■ 60A ■ Watertight

## Receptacles 60 Amp



\* Available in splashproof. To order, omit W suffix.  
For Back Box Information see page 73.



Wire Configuration	Voltage	Catalog Number*
2 Pole 3 Wire	125	ME 360R4W
	250	ME 360R6W
	480	ME 360R7W
3 Pole 4 Wire	125/250	ME 460R12W
	3Ø250	ME 460R9W
	3Ø480	ME 460R7W
	3Ø600	ME 460R5W
4 Pole 5 Wire	3ØY120/208	ME 560R9W
	3ØY277/480	ME 560R7W
	3ØY347/600	ME 560R5W

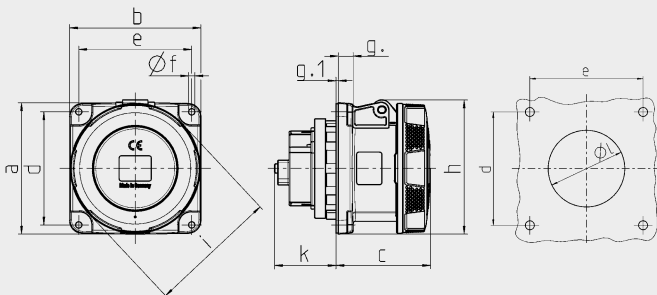
### Approximate Dimensions (in inches)

	Wire Configuration		
	2 Pole, 3 Wire	3 Pole, 4 Wire	4 Pole, 5 Wire
a	4.21	4.21	4.21
b	3.94	3.94	3.94
c	3.19	3.19	3.19
d	3.35	3.35	3.35
e	3.03	3.03	3.03
f	0.24	0.24	0.24
g	0.47	0.47	0.47
g.1	0.08	0.08	0.08
h	4.61	4.61	4.61
i	4.45	4.45	4.45
k	2.17	2.17	2.17
l	3.46	3.46	3.46

## Receptacles 60 Amp - Large Industry Standard Flange



\* Available in splashproof. To order, omit W suffix.  
For Back Box Information see page 73.



Wire Configuration	Voltage	Catalog Number*
2 Pole 3 Wire	125	ME 360R4W-L
	250	ME 360R6W-L
	480	ME 360R7W-L
3 Pole 4 Wire	125/250	ME 460R12W-L
	3Ø250	ME 460R9W-L
	380/415	ME 460R6W-L
	3Ø480	ME 460R7W-L
4 Pole 5 Wire	3Ø600	ME 460R5W-L
	3ØY120/208	ME 560R9W-L
	200/346 / 240/415	ME 560R6W-L
	3ØY277/480	ME 560R7W-L
	3ØY347/600	ME 560R5W-L

### Approximate Dimensions (in inches)

	Wire Configuration		
	2 Pole, 3 Wire	3 Pole, 4 Wire	4 Pole, 5 Wire
a	4.50	4.50	4.50
b	4.50	4.50	4.50
c	3.19	3.19	3.19
d	3.87	3.87	3.87
e	3.87	3.87	3.87
f	0.22	0.22	0.22
g	0.47	0.47	0.47
g.1	0.08	0.08	0.08
h	4.61	4.61	4.61
i	4.45	4.45	4.45
k	2.17	2.17	2.17
l	3.46	3.46	3.46



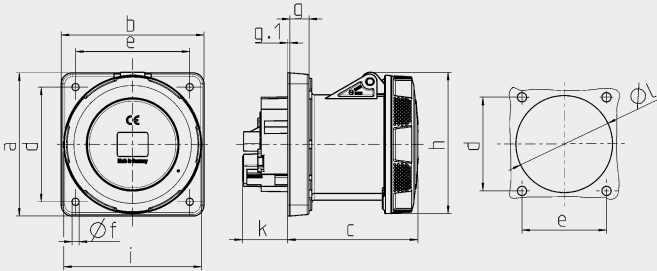
# Wiring Devices - Series 60309 Pin and Sleeve

Receptacles ■ 100A ■ Watertight

## Receptacles 100 Amp



For Back Box Information see page 73.



Wire Configuration	Voltage	Catalog Number
2 Pole 3 Wire	125	ME 3100R4W
	250	ME 3100R6W
	480	ME 3100R7W
3 Pole 4 Wire	125/250	ME 4100R12W
	3Ø250	ME 4100R9W
	3Ø480	ME 4100R7W
	3Ø600	ME 4100R5W
4 Pole 5 Wire	3ØY120/208	ME 5100R9W
	3ØY277/480	ME 5100R7W
	3ØY347/600	ME 5100R5W

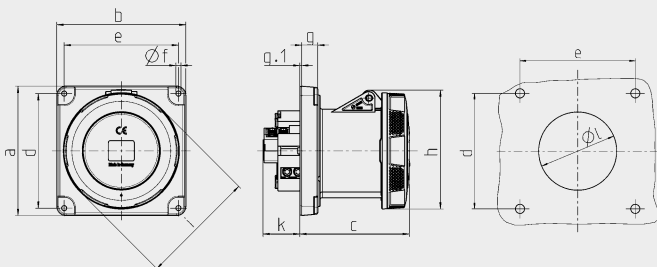
### Approximate Dimensions (in inches)

	Wire Configuration		
	2 Pole, 3 Wire	3 Pole, 4 Wire	4 Pole, 5 Wire
a	5.12	5.12	5.12
b	5.12	5.12	5.12
c	4.69	4.69	4.69
d	4.09	4.09	4.09
e	4.09	4.09	4.09
f	0.26	0.26	0.26
g	0.71	0.71	0.71
g.1	0.08	0.08	0.08
h	5.08	5.08	5.08
i	4.96	4.96	4.96
k	1.69	1.69	1.69
l	3.74	3.74	3.74

## Receptacles 100 Amp - Large Industry Standard Flange



For Back Box Information see page 73.



Wire Configuration	Voltage	Catalog Number
2 Pole 3 Wire	125	ME 3100R4W-L
	250	ME 3100R6W-L
	480	ME 3100R7W-L
3 Pole 4 Wire	125/250	ME 4100R12W-L
	3Ø250	ME 4100R9W-L
	380/415	ME 4100R6W-L
	3Ø480	ME 4100R7W-L
4 Pole 5 Wire	3Ø600	ME 4100R5W-L
	3ØY120/208	ME 5100R9W-L
	200/346 / 240/415	ME 5100R6W-L
	3ØY277/480	ME 5100R7W-L
	3ØY347/600	ME 5100R5W-L

### Approximate Dimensions (in inches)

	Wire Configuration		
	2 Pole, 3 Wire	3 Pole, 4 Wire	4 Pole, 5 Wire
a	5.50	5.50	5.50
b	5.50	5.50	5.50
c	4.69	4.69	4.69
d	4.87	4.87	4.87
e	4.87	4.87	4.87
f	0.22	0.22	0.22
g	0.71	0.71	0.71
g.1	0.08	0.08	0.08
h	5.08	5.08	5.08
i	4.96	4.96	4.96
k	1.69	1.69	1.69
l	3.74	3.74	3.74

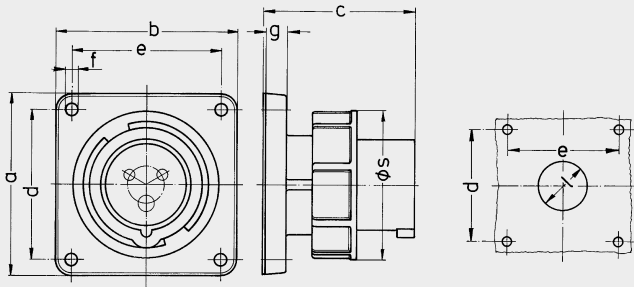
# Wiring Devices - Series 60309 Pin and Sleeve

Inlets ■ 20A ■ Watertight

Inlets 20 Amp



For Back Box Information see page 73.  
Adapter Mounting Plates are Available for Industry Standard Footprint.



Wire Configuration	Voltage	Catalog Number
2 Pole 3 Wire	125	ME 320B4W
	250	ME 320B6W
	480	ME 320B7W
3 Pole 4 Wire	125/250	ME 420B12W
	3Ø250	ME 420B9W
	380/415	ME 420B6W
	3Ø480	ME 420B7W
	3Ø600	ME 420B5W
4 Pole 5 Wire	3ØY120/208	ME 520B9W
	200/346 / 240/415	ME 520B6W
	3ØY277/480	ME 520B7W
	3ØY347/600	ME 520B5W

## Approximate Dimensions (in inches)

	Wire Configuration		
	2 Pole, 3 Wire	3 Pole, 4 Wire	4 Pole, 5 Wire
a	3.37	3.37	3.37
b	3.37	3.37	3.37
c	2.83	2.83	2.83
d	2.74	2.74	2.74
e	2.74	2.74	2.74
f	0.22	0.22	0.22
g	0.43	0.43	0.43
l	1.26	1.26	1.85
s	2.80	3.11	3.50

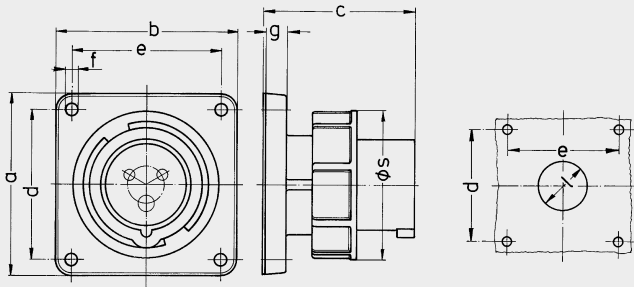
# Wiring Devices - Series 60309 Pin and Sleeve

Inlets ■ 30A ■ Watertight

Inlets 30 Amp



For Back Box Information see page 73.  
Adapter Mounting Plates are Available for Industry Standard Footprint.



Wire Configuration	Voltage	Catalog Number
2 Pole 3 Wire	125	ME 330B4W
	250	ME 330B6W
	480	ME 330B7W
3 Pole 4 Wire	125/250	ME 430B12W
	3Ø250	ME 430B9W
	380/415	ME 430B6W
	3Ø480	ME 430B7W
	3Ø600	ME 430B5W
4 Pole 5 Wire	3ØY120/208	ME 530B9W
	200/346 / 240/415	ME 530B6W
	3ØY277/480	ME 530B7W
	3ØY347/600	ME 530B5W

### Approximate Dimensions (in inches)

	Wire Configuration		
	2 Pole, 3 Wire	3 Pole, 4 Wire	4 Pole, 5 Wire
a	3.37	3.37	3.37
b	3.37	3.37	3.37
c	3.54	3.54	3.54
d	2.74	2.74	2.74
e	2.74	2.74	2.74
f	0.22	0.22	0.22
g	0.43	0.43	0.43
l	1.85	1.85	1.85
s	3.70	3.70	4.02



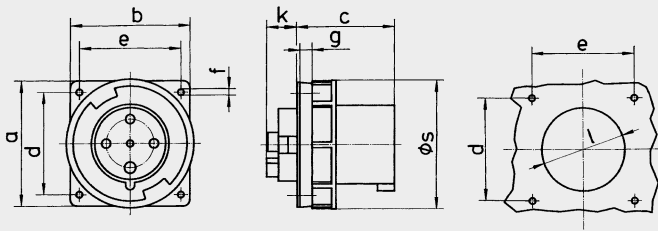
# Wiring Devices - Series 60309 Pin and Sleeve

Inlets ■ 60A ■ Watertight

## Inlets 60 Amp



For Back Box Information see page 73.



Wire Configuration	Voltage	Catalog Number
2 Pole 3 Wire	125	ME 360B4W
	250	ME 360B6W
	480	ME 360B7W
3 Pole 4 Wire	125/250	ME 460B12W
	3Ø250	ME 460B9W
	3Ø480	ME 460B7W
	3Ø600	ME 460B5W
4 Pole 5 Wire	3ØY120/208	ME 560B9W
	3ØY277/480	ME 560B7W
	3ØY347/600	ME 560B5W

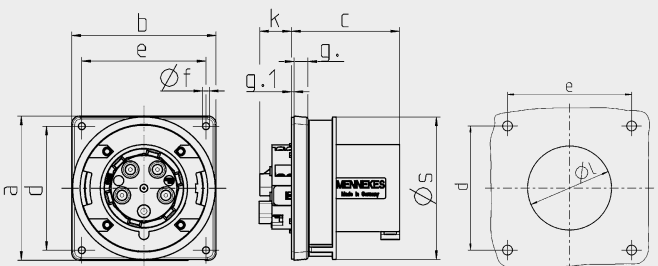
### Approximate Dimensions (in inches)

	Wire Configuration		
	2 Pole, 3 Wire	3 Pole, 4 Wire	4 Pole, 5 Wire
a	4.33	4.33	4.33
b	4.17	4.17	4.17
c	3.31	3.31	3.31
d	3.54	3.54	3.54
e	3.54	3.54	3.54
f	0.22	0.22	0.22
g	0.43	0.43	0.43
k	1.14	1.14	1.14
l	2.87	2.87	2.87
s	4.45	4.45	4.45

## Inlets 60 Amp - Large Industry Standard Flange



For Back Box Information see page 73.



Wire Configuration	Voltage	Catalog Number
2 Pole 3 Wire	125	ME 360B4W-L
	250	ME 360B6W-L
	480	ME 360B7W-L
3 Pole 4 Wire	125/250	ME 460B12W-L
	3Ø250	ME 460B9W-L
	380/415	ME 460B6W-L
	3Ø480	ME 460B7W-L
4 Pole 5 Wire	3Ø600	ME 460B5W-L
	3ØY120/208	ME 560B9W-L
	200/346 / 240/415	ME 560B6W-L
	3ØY277/480	ME 560B7W-L
	3ØY347/600	ME 560B5W-L

### Approximate Dimensions (in inches)

	Wire Configuration		
	2 Pole, 3 Wire	3 Pole, 4 Wire	4 Pole, 5 Wire
a	4.50	4.50	4.50
b	4.50	4.50	4.50
c	3.39	3.39	3.39
d	3.87	3.87	3.87
e	3.87	3.87	3.87
f	0.22	0.22	0.22
g	0.47	0.47	0.47
g.1	0.08	0.08	0.08
k	1.10	1.10	1.10
l	3.48	3.48	3.48
s	4.45	4.45	4.45

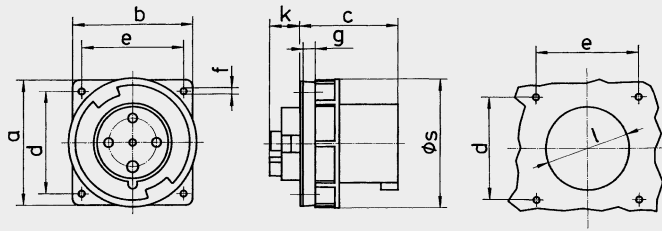
# Wiring Devices - Series 60309 Pin and Sleeve

Inlets ■ 100A ■ Watertight

## Inlets 100 Amp



For Back Box Information see page 73.



Wire Configuration	Voltage	Catalog Number
2 Pole 3 Wire	125	ME 3100B4W
	250	ME 3100B6W
	480	ME 3100B7W
3 Pole 4 Wire	125/250	ME 4100B12W
	3Ø250	ME 4100B9W
	3Ø480	ME 4100B7W
	3Ø600	ME 4100B5W
4 Pole 5 Wire	3ØY120/208	ME 5100B9W
	3ØY277/480	ME 5100B7W
	3ØY347/600	ME 5100B5W

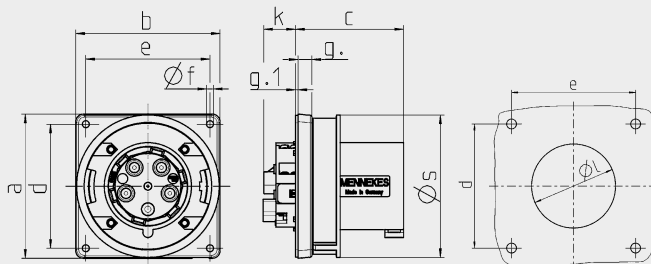
### Approximate Dimensions (in inches)

	Wire Configuration		
	2 Pole, 3 Wire	3 Pole, 4 Wire	4 Pole, 5 Wire
a	5.12	5.12	5.12
b	5.12	5.12	5.12
c	4.34	4.34	4.34
d	4.10	4.10	4.10
e	4.10	4.10	4.10
f	0.26	0.26	0.26
g	0.69	0.69	0.69
k	1.14	1.15	1.15
l	3.74	3.75	3.75
s	5.20	5.20	5.20

## Inlets 100 Amp - Large Industry Standard Flange



For Back Box Information see page 73.



Wire Configuration	Voltage	Catalog Number
2 Pole 3 Wire	125	ME 3100B4W-L
	250	ME 3100B6W-L
	480	ME 3100B7W-L
3 Pole 4 Wire	125/250	ME 4100B12W-L
	3Ø250	ME 4100B9W-L
	380/415	ME 4100B6W-L
	3Ø480	ME 4100B7W-L
4 Pole 5 Wire	3Ø600	ME 4100B5W-L
	3ØY120/208	ME 5100B9W-L
	200/346 / 240/415	ME 5100B6W-L
	3ØY277/480	ME 5100B7W-L
	3ØY347/600	ME 5100B5W-L

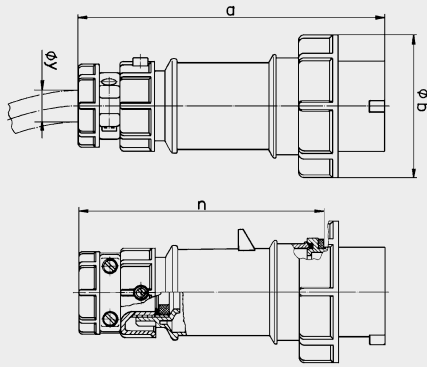
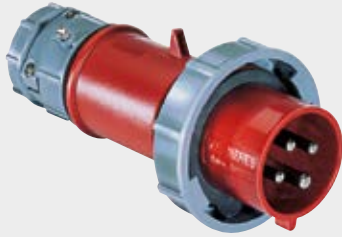
### Approximate Dimensions (in inches)

	Wire Configuration		
	2 Pole, 3 Wire	3 Pole, 4 Wire	4 Pole, 5 Wire
a	5.50	5.50	5.50
b	5.50	5.50	5.50
c	4.41	4.41	4.41
d	4.88	4.88	4.88
e	4.88	4.88	4.88
f	0.22	0.22	0.22
g	0.71	0.71	0.71
g.1	0.08	0.08	0.08
k	1.10	1.10	1.10
l	3.74	3.74	3.74
s	5.20	5.20	5.20

# Wiring Devices - Series 60309 Pin and Sleeve

Plugs ■ 20A - 30A ■ Watertight

## Plugs 20 Amp

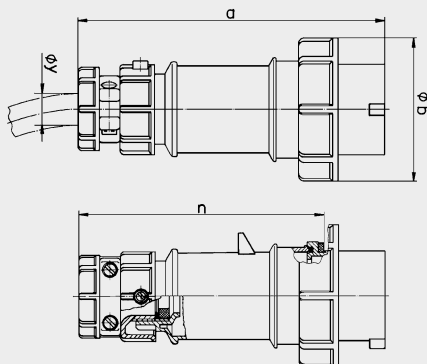


Wire Configuration	Voltage	Catalog Number
2 Pole 3 Wire	125	ME 320P4W
	250	ME 320P6W
	480	ME 320P7W
3 Pole 4 Wire	125/250	ME 420P12W
	3Ø250	ME 420P9W
	380/415	ME 420P6W
	3Ø480	ME 420P7W
	3Ø600	ME 420P5W
4 Pole 5 Wire	3ØY120/208	ME 520P9W
	200/346 / 240/415	ME 520P6W
	3ØY277/480	ME 520P7W
	3ØY347/600	ME 520P5W

### Approximate Dimensions (in inches)

	Wire Configuration		
	2 Pole, 3 Wire	3 Pole, 4 Wire	4 Pole, 5 Wire
a	6.40	6.69	7.28
b	2.76	3.07	3.47
n	4.96	5.26	5.97
y			
Cord Diameter	.36-.76	.36-.76	.45-.94
Threaded Entry (NPT)	3/4	3/4	1

## Plugs 30 Amp



Wire Configuration	Voltage	Catalog Number
2 Pole 3 Wire	125	ME 330P4W
	250	ME 330P6W
	480	ME 330P7W
3 Pole 4 Wire	125/250	ME 430P12W
	3Ø250	ME 430P9W
	380/415	ME 430P6W
	3Ø480	ME 430P7W
	3Ø600	ME 430P5W
4 Pole 5 Wire	3ØY120/208	ME 530P9W
	200/346 / 240/415	ME 530P6W
	3ØY277/480	ME 530P7W
	3ØY347/600	ME 530P5W

### Approximate Dimensions (in inches)

	Wire Configuration		
	2 Pole, 3 Wire	3 Pole, 4 Wire	4 Pole, 5 Wire
a	7.80	7.80	8.43
b	3.70	3.70	3.98
n	6.14	6.14	6.77
y			
Cord Diameter	.43-.94	.43-.94	.43-1.12
Threaded Entry (NPT)	1	1	1 1/4

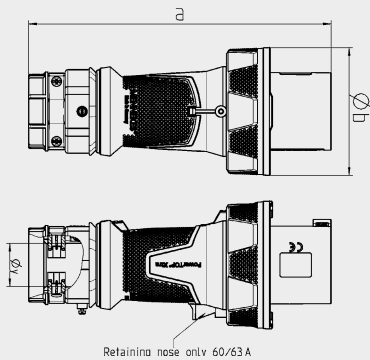
# Wiring Devices - Series 60309 Pin and Sleeve

Plugs ■ 60A - 100A ■ Watertight

## Plugs 60 Amp



\* Available in splashproof. To order, omit W suffix.

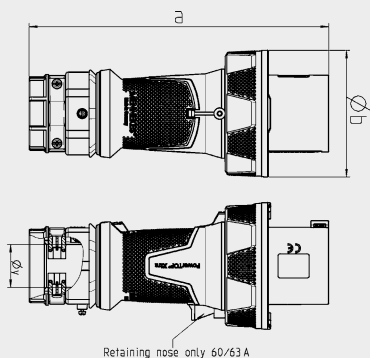


Wire Configuration	Voltage	Catalog Number*
2 Pole 3 Wire	125	ME 360P4W
	250	ME 360P6W
	480	ME 360P7W
3 Pole 4 Wire	125/250	ME 460P12W
	3Ø250	ME 460P9W
	380/415	ME 460P6W
	3Ø480	ME 460P7W
	3Ø600	ME 460P5W
4 Pole 5 Wire	3ØY120/208	ME 560P9W
	200/346 / 240/415	ME 560P6W
	3ØY277/480	ME 560P7W
	3ØY347/600	ME 560P5W

### Approximate Dimensions (in inches)

	Wire Configuration		
	2 Pole, 3 Wire	3 Pole, 4 Wire	4 Pole, 5 Wire
a		10.6	
Ø b		4.5	
y Cord Diameter		0.6 - 1.45	
Threaded Entry (NPT)		1 1/2	

## Plugs 100 Amp



Wire Configuration	Voltage	Catalog Number
2 Pole 3 Wire	125	ME 3100P4W
	250	ME 3100P6W
	480	ME 3100P7W
3 Pole 4 Wire	125/250	ME 4100P12W
	3Ø250	ME 4100P9W
	380/415	ME 4100P6W
	3Ø480	ME 4100P7W
	3Ø600	ME 4100P5W
4 Pole 5 Wire	3ØY120/208	ME 5100P9W
	200/346 / 240/415	ME 5100P6W
	3ØY277/480	ME 5100P7W
	3ØY347/600	ME 5100P5W

### Approximate Dimensions (in inches)

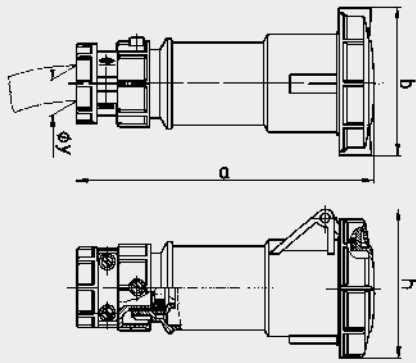
	Wire Configuration		
	2 Pole, 3 Wire	3 Pole, 4 Wire	4 Pole, 5 Wire
a		12.1	
Ø b		5.1	
y Cord Diameter		0.96 - 1.92	
Threaded Entry (NPT)		2	



# Wiring Devices - Series 60309 Pin and Sleeve

Connectors ■ 20A - 30A ■ Watertight

## Connectors 20 Amp

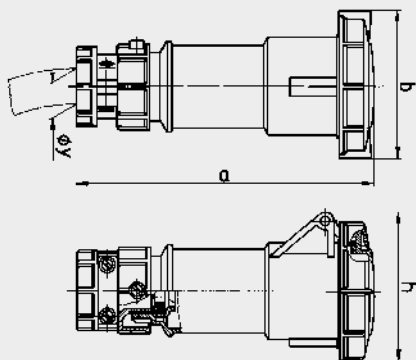


Wire Configuration	Voltage	Catalog Number
2 Pole 3 Wire	125	ME 320C4W
	250	ME 320C6W
	480	ME 320C7W
3 Pole 4 Wire	125/250	ME 420C12W
	3Ø250	ME 420C9W
	380/415	ME 420C6W
	3Ø480	ME 420C7W
	3Ø600	ME 420C5W
4 Pole 5 Wire	3ØY120/208	ME 520C9W
	200/346 / 240/415	ME 520C6W
	3ØY277/480	ME 520C7W
	3ØY347/600	ME 520C5W

### Approximate Dimensions (in inches)

	Wire Configuration		
	2 Pole, 3 Wire	3 Pole, 4 Wire	4 Pole, 5 Wire
a	6.85	7.28	7.92
b	2.84	3.11	3.47
h	3.11	3.47	3.74
y Cord Diameter	.36-.76	.36-.76	.45-.94
Threaded Entry (NPT)	3/4	3/4	1

## Connectors 30 Amp



Wire Configuration	Voltage	Catalog Number
2 Pole 3 Wire	125	ME 330C4W
	250	ME 330C6W
	480	ME 330C7W
3 Pole 4 Wire	125/250	ME 430C12W
	3Ø250	ME 430C9W
	380/415	ME 430C6W
	3Ø480	ME 430C7W
	3Ø600	ME 430C5W
4 Pole 5 Wire	3ØY120/208	ME 530C9W
	200/346 / 240/415	ME 530C6W
	3ØY277/480	ME 530C7W
	3ØY347/600	ME 530C5W

### Approximate Dimensions (in inches)

	Wire Configuration		
	2 Pole, 3 Wire	3 Pole, 4 Wire	4 Pole, 5 Wire
a	8.78	8.78	9.18
b	3.78	3.78	4.02
n	3.90	3.90	4.17
y Cord Diameter	.43-.94	.43-.94	.43-1.12
Threaded Entry (NPT)	1	1	1 1/4

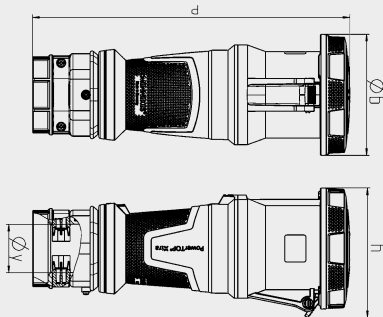
# Wiring Devices - Series 60309 Pin and Sleeve

Connectors ■ 60A - 100A ■ Watertight

## Connectors 60 Amp



\* Available in splashproof. To order, omit W suffix.

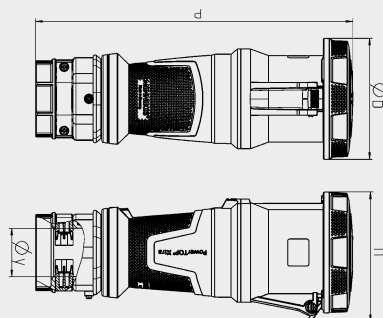


Wire Configuration	Voltage	Catalog Number*
2 Pole 3 Wire	125	ME 360C4W
	250	ME 360C6W
	480	ME 360C7W
3 Pole 4 Wire	125/250	ME 460C12W
	3Ø250	ME 460C9W
	380/415	ME 460C6W
	3Ø480	ME 460C7W
	3Ø600	ME 460C5W
4 Pole 5 Wire	3ØY120/208	ME 560C9W
	200/346 / 240/415	ME 560C6W
	3ØY277/480	ME 560C7W
	3ØY347/600	ME 560C5W

### Approximate Dimensions (in inches)

	Wire Configuration		
	2 Pole, 3 Wire	3 Pole, 4 Wire	4 Pole, 5 Wire
a		11.6	
Ø b		4.5	
h		4.85	
y		0.6 - 1.45	
Cord Diameter			
Threaded Entry (NPT)		1 1/2	

## Connectors 100 Amp



Wire Configuration	Voltage	Catalog Number
2 Pole 3 Wire	125	ME 3100C4W
	250	ME 3100C6W
	480	ME 3100C7W
3 Pole 4 Wire	125/250	ME 4100C12W
	3Ø250	ME 4100C9W
	380/415	ME 4100C6W
	3Ø480	ME 4100C7W
	3Ø600	ME 4100C5W
4 Pole 5 Wire	3ØY120/208	ME 5100C9W
	200/346 / 240/415	ME 5100C6W
	3ØY277/480	ME 5100C7W
	3ØY347/600	ME 5100C5W

### Approximate Dimensions (in inches)



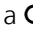
	Wire Configuration		
	2 Pole, 3 Wire	3 Pole, 4 Wire	4 Pole, 5 Wire
a		13	
Ø b		5	
h		5.3	
y		0.96 - 1.92	
Cord Diameter			
Threaded Entry (NPT)		2	

# Wiring Devices - Series 60309 Pin and Sleeve

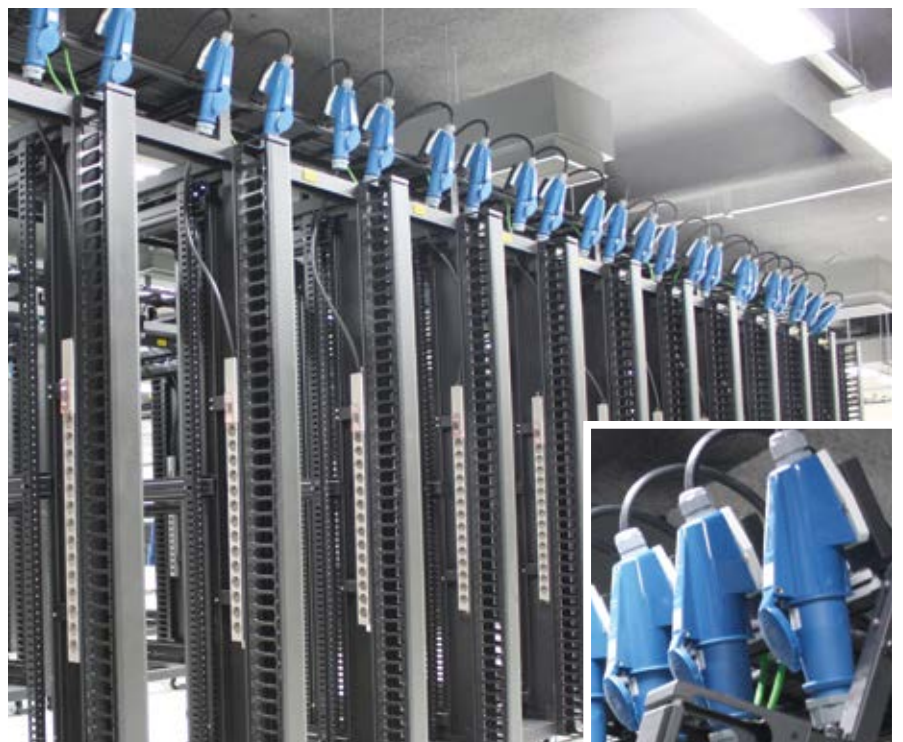
Dual-Listed ■ Receptacles, Plugs and Connectors ■ ; ; 6h ■ Watertight

## Dual-Listed Wiring Devices – 30A-100A / 32A-125A

The MENNEKES range of DUAL CERTIFIED Pin & Sleeve devices have agency approval for use in North America, European and International markets. One device fulfills multiple electrical needs to satisfy global equipment requirements for data centers and server equipment applications.

 Listed to UL1682/1686 and CSA 22.2 181.1, these products are also  Certified and have a  mark. Dual-Listed configurations are rated 30/32A, 60/63A and 100/125A – Offered in 3-Pole 4 wire and 4-Pole 5 wire in the 6 o'clock ground contact position, this range is fully intermateable with like-rate devices from other manufactures to support universal installation requirements.

MENNEKES Plugs and Connectors have threaded NPT cable entry for direct installation of flexible conduit fittings; costly adaptor fittings are not required. PowerTOP Xtra 60/63A and 100/125A parts feature Valox V-O rated threaded housing with a thermoplastic elastomer finish to enhance handling and facilitate installation. All devices are RoHS compliant with UL Type 4X and IP67 Rating. IP44 Weatherproof devices are also available upon request.



# Wiring Devices - Series 60309 Pin and Sleeve

Dual-Listed ■ Receptacles, Plugs and Connectors ■ ; ; 6h ■ Watertight

## Receptacles 30 Amp - 100 Amp / 32 Amp - 125 Amp



Dimension:  
30/32A see page 13  
60/63A see page 14  
100/125A see page 15

Wire Configuration	AMP	Voltage	Catalog Number
3 Pole 4 Wire	30/32	380/415	ME 430R6W-L
4 Pole 5 Wire		200/346 240/415	ME 530R6W-L
3 Pole 4 Wire	60/63	380/415	ME 460R6W-L
4 Pole 5 Wire		200/346 240/415	ME 560R6W-L
3 Pole 4 Wire	100/125	380/415	ME 4100R6W-L
4 Pole 5 Wire		200/346 240/415	ME 5100R6W-L

Large Industry Standard Flange coming soon

## Plugs 30 Amp - 100 Amp / 32 Amp - 125 Amp



60/63A and 100/125A Plugs: Pilot contact Standard.  
\* Available in splashproof. To order, omit W suffix.

Dimension:  
30/32A see page 20  
60/63A see page 21  
100/125A see page 21

Wire Configuration	AMP	Voltage	Catalog Number
3 Pole 4 Wire	30/32	380/415	ME 430P6W
4 Pole 5 Wire		200/346 240/415	ME 530P6W
3 Pole 4 Wire	60/63	380/415	ME 460P6W-62334C*
4 Pole 5 Wire		200/346 240/415	ME 560P6W-62335C*
3 Pole 4 Wire	100/125	380/415	ME 4100P6W-62340C
4 Pole 5 Wire		200/346 240/415	ME 5100P6W-62357C

## Connectors 30 Amp - 100 Amp / 32 Amp - 125 Amp



\* Available in splashproof. To order, omit W suffix.

Dimension:  
30/32A see page 22  
60/63A see page 23  
100/125A see page 23

Wire Configuration	AMP	Voltage	Catalog Number
3 Pole 4 Wire	30/32	380/415	ME 430C6W
4 Pole 5 Wire		200/346 240/415	ME 530C6W
3 Pole 4 Wire	60/63	380/415	ME 460C6W*
4 Pole 5 Wire		200/346 240/415	ME 560C6W*
3 Pole 4 Wire	100/125	380/415	ME 4100C6W
4 Pole 5 Wire		200/346 240/415	ME 5100C6W



# Wiring Devices - Series 60309 Pin and Sleeve

Marine Grade ■ Inlets and Connectors ■ 100A / Reverse Service Devices ■ Watertight

## Marine Grade 100A Ship to Shore Range

MENNEKES offers 100A Wiring Devices designed to comply with American Boat and Yacht Council standards. Select standard configuration units with PowerTOP Xtra plug and connector housings.

Reverse Service devices are suited for "On-Board" service requirements. Marine Grade watertight pin & sleeve wiring devices withstand harsh corrosive marine environments with stainless steel hardware, terminal screws and nickel plated machined contacts.



### Inlets 100 Amp / Boatside Selection



Dimension:  
100/125A see page 19

Wire Configuration	AMP	Voltage	Catalog Number
3 Pole 4 Wire	100	125/250	<b>ME 4100B12R</b>
		125/250	<b>ME 4100B12R-L *</b>
3Ø120/208		<b>ME 5100B9R</b>	
3Ø120/208		<b>ME 5100B9R-L *</b>	
4 Pole 5 Wire			

\* Large Industry Standard Flange

### Connectors 100 Amp / Boatside Selection



Dimension:  
100/125A see page 23

Wire Configuration	AMP	Voltage	Catalog Number
3 Pole 4 Wire	100	125/250	<b>ME 4100C12R</b>
4 Pole 5 Wire		3Ø120/208	<b>ME 5100C9R</b>

# Wiring Devices - Series 60309 Pin and Sleeve

Marine Grade ■ Receptacles, Plugs, Connectors ■ 100A / Standard Devices ■ Watertight

## Receptacles 100 Amp / Dockside Selection



Dimension:  
100/125A see page 15

Wire Configuration	AMP	Voltage	Catalog Number
3 Pole 4 Wire	100	125/250	ME 4100R12M
		125/250	ME 4100R12M-L *
4 Pole 5 Wire		3Ø120/208	ME 5100R9M
		3Ø120/208	ME 5100R9M-L *

\* Large Industry Standard Flange

## Plugs 100 Amp / Dockside Selection



Dimension:  
100/125A see page 21

Wire Configuration	AMP	Voltage	Catalog Number
3 Pole 4 Wire	100	125/250	ME 4100P12M
4 Pole 5 Wire		3Ø120/208	ME 5100P9M

## Connectors 100 Amp / Dockside Selection



Dimension:  
100/125A see page 23

Wire Configuration	AMP	Voltage	Catalog Number
3 Pole 4 Wire	100	125/250	ME 4100C12M
4 Pole 5 Wire		3Ø120/208	ME 5100C9M

# Custom Power Distribution

Product information

The right  
combination  
for every  
application.

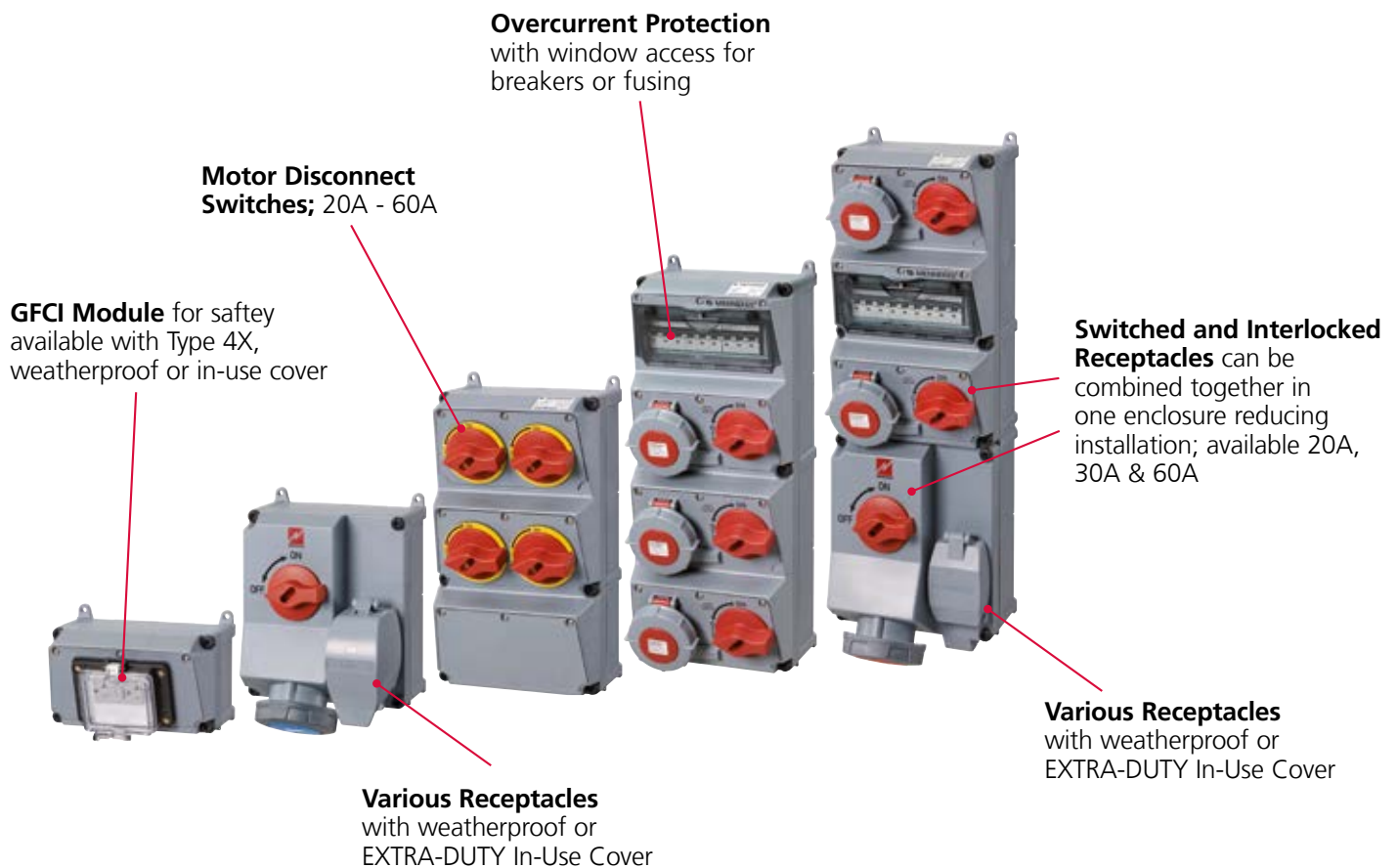


# Custom Power Distribution

## Product information AMAXX® Series

### AMAXX® Customized Power Distribution.

The AMAXX® enclosure system offers you the perfect solution with our new and innovative modular design. AMAXX® allows you to configure a system for your specific requirements with in-stock modules for fast delivery. Select from several installation options including IEC and NEMA receptacles, overcurrent protection choices and disconnect switches.



### Features and benefits

- UL Listed Enclosure and Cabinet – Type 4X; 12; 3R
- Available in a single gang to a five-gang unit
- Non-metallic hinged enclosure for easy access
- Multiple receptacle options including switched and interlocked IEC 60309 styles
- Overcurrent protection available
- Fully customizable for your application with IEC 60309 products or NEMA devices
- Modular design means many units can ship immediately from our stock
- Field installation can be facilitated with pre-wired option from factory



# Custom Power Distribution

## Product information AMAXX® Series

### The AMAXX® Enclosure System.

All AMAXX® units begin with a blank enclosure; you select the size needed for your application. One AMAXX® unit can replace multiple installations, saving you labor, material and space. AMAXX® gives you total freedom and flexibility with our new and innovative system. With AMAXX®, you can customize quickly, safely and easily to suit any application.

**AMAXX**®  
by MENNEKES



### Compliances:

- Standard 50 – Enclosure and cut-out box
- to CSA C22.2 No. 94.1
- Environmental: NEMA 4X, 12, 3R
- UL94 – 5V Rating; UV Stabilized Material

### MENNEKES Outlet Covers.

AMAXX® assemblies are fitted with outlet covers to match the quality and durability of the AMAXX® enclosure system. Innovative MENNEKES covers for duplex and GFCI receptacles and 20A-50A NEMA locking devices feature a stainless steel spring and fixing pin. Weatherproof seal is assured with poured-in-place gasket on base plate. Valox material is Corrosion and UV resistant.



### Compliances:

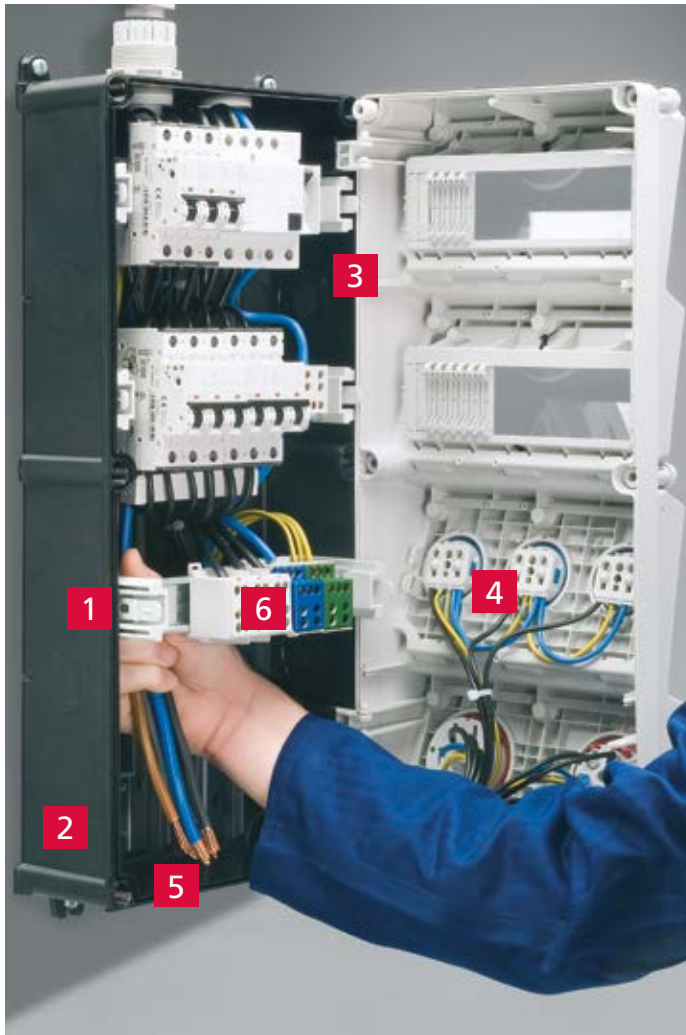
- Listed to Standards UL 514D and CSA C22.2 no. 42.1
- Type 3R Rating
- Extra Duty In-Use Covers comply to 2014 NEC 406.9 (B)(1) for Wet Locations

# Custom Power Distribution

## Product information AMAXX® Series

Available in single gang to five-gang sizes, AMAXX® non-metallic enclosures and module plates are rated NEMA 4X and molded with Valox thermo-plastic material. Multiple boxes can be ganged together or used individually. Each box is hinged for convenient access to interior components for field wiring requirements.

Order AMAXX® fully wired to expedite installation....you only need to rough-in the enclosure and make final supply and ground terminations. AMAXX® is available in pre-configured combinations with standard module plates, or specify receptacle, switch, control or data port options to meet your installation requirements. With AMAXX®, the possibilities are endless.



### 1 Adjustable DIN Rails

Allows for easy routing of field wiring when commissioning unit.

### 2 One-man installation

Molded mounting feet on bottom box reduces rough-in time. Mounting tube system is also available.

### 3 Hinged cover

Provides easy access to enclosure interior and cover mounted components for field wiring.

### 4 Pre-wired factory assemblies

Standard for units with over-current protection. Assembled and wired to UL 508A requirements. Three line wiring diagram provided with lay-out of each combination.

### 5 Blank end walls

Ample mounting area for multiple conduit fittings, sized up to 1½" for larger boxes.

### 6 Line and Ground Terminals

Sized up to 1/0 based upon load requirement; positioned best for supply terminations.



- Captive cover screws make opening and closing the enclosure fast and easy.

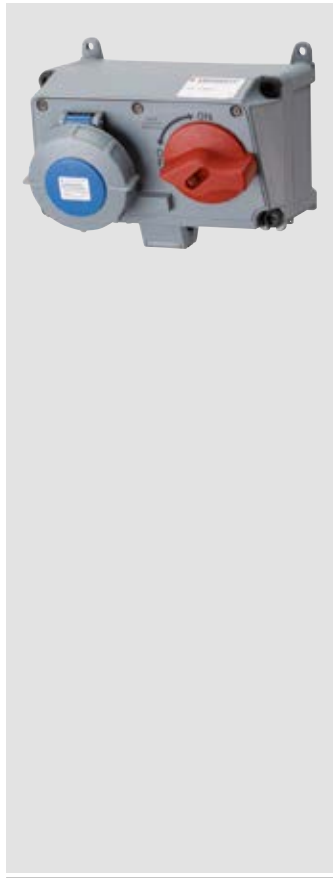


- Pad-lockable window allows access by only authorized personnel.

# Custom Power Distribution

## AMAXX® Series

Please consult factory for your custom solution – the possibilities are endless. For dimensions, see page 30.



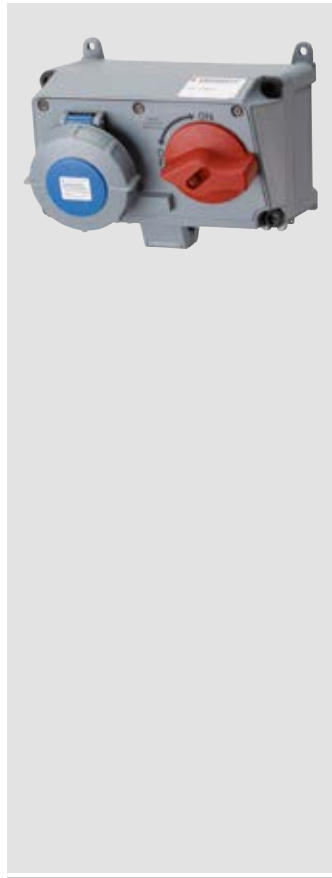
**Fitted with**  
1x 20A, 3P, 4W, 250V  
Switched & Interlocked Receptacle

**Over Current Protection Device**

**Enclosure size**  
130 x 225 mm (H x W)

**Protection type**  
Type 4X;12

**Catalog Number**  
**AMX1A-910381**



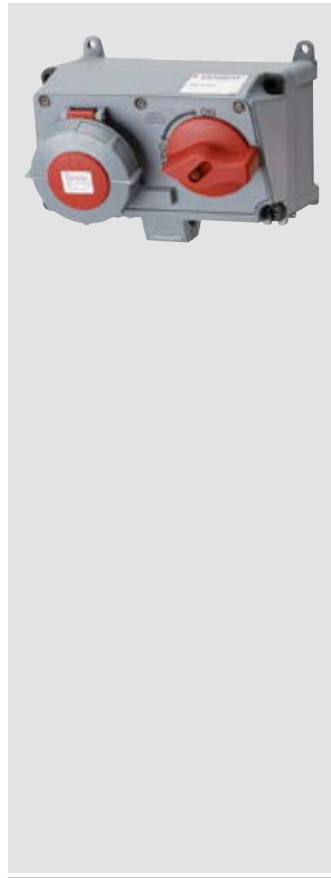
**Fitted with**  
1x 30A, 3P, 4W, 250V  
Switched & Interlocked Receptacle

**Over Current Protection Device**

**Enclosure size**  
130 x 225 mm (H x W)

**Protection type**  
Type 4X;12

**Catalog Number**  
**AMX1A-910385**



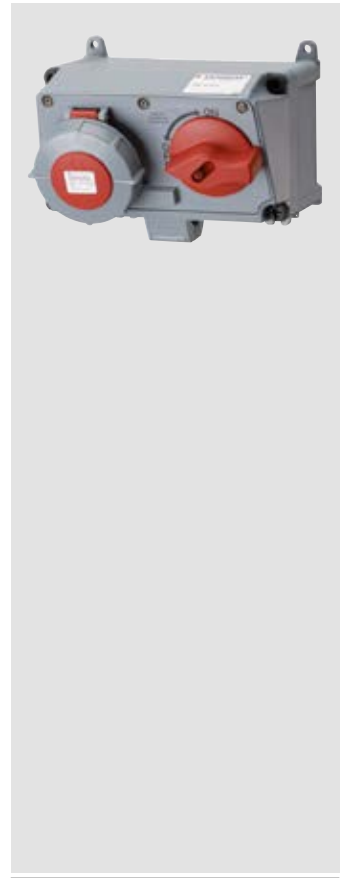
**Fitted with**  
1x 20A, 3P, 4W, 480V  
Switched & Interlocked Receptacle

**Over Current Protection Device**

**Enclosure size**  
130 x 225 mm (H x W)

**Protection type**  
Type 4X;12

**Catalog Number**  
**AMX1A-910380**



**Fitted with**  
1x 30A, 3P, 4W, 480V  
Switched & Interlocked Receptacle

**Over Current Protection Device**

**Enclosure size**  
130 x 225 mm (H x W)

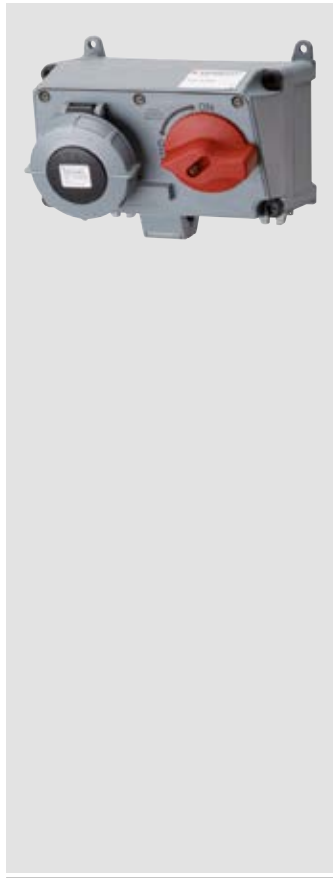
**Protection type**  
Type 4X;12

**Catalog Number**  
**AMX1A-910384**

# Custom Power Distribution

## AMAXX® Series

Please consult factory for your custom solution – the possibilities are endless. For dimensions, see page 30.



**Fitted with**

1x 20A, 3P, 4W, 600V  
Switched & Interlocked Receptacle

**Over Current Protection Device**

**Enclosure size**

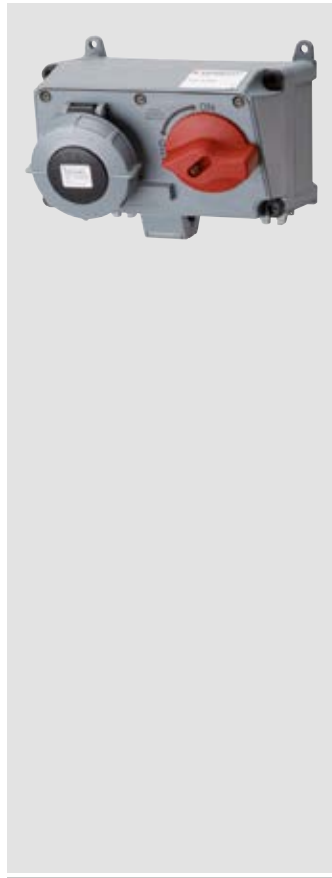
130 x 225 mm (H x W)

**Protection type**

Type 4X;12

**Catalog Number**

**AMX1A-910383**



**Fitted with**

1x 30A, 3P, 4W, 600V  
Switched & Interlocked Receptacle

**Over Current Protection Device**

**Enclosure size**

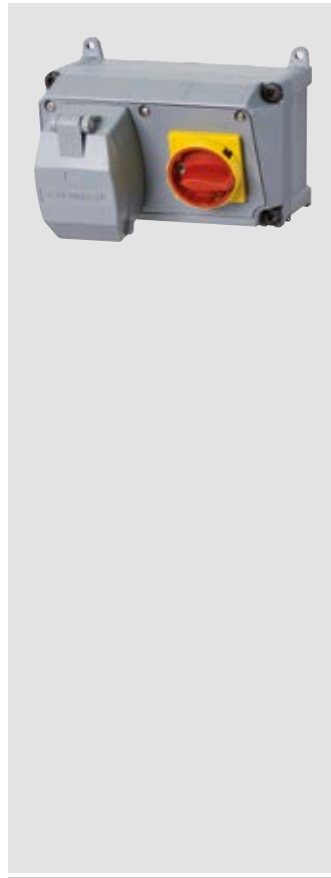
130 x 225 mm (H x W)

**Protection type**

Type 4X;12

**Catalog Number**

**AMX1A-910386**



**Fitted with**

1 x 30A, 2P, 3W, 250V  
NEMA L6-30R Receptacle with  
Weatherproof Cover

1 x 30A, 3P, 10HP  
Motor Disconnect Switch

**Over Current Protection Device**

**Enclosure size**

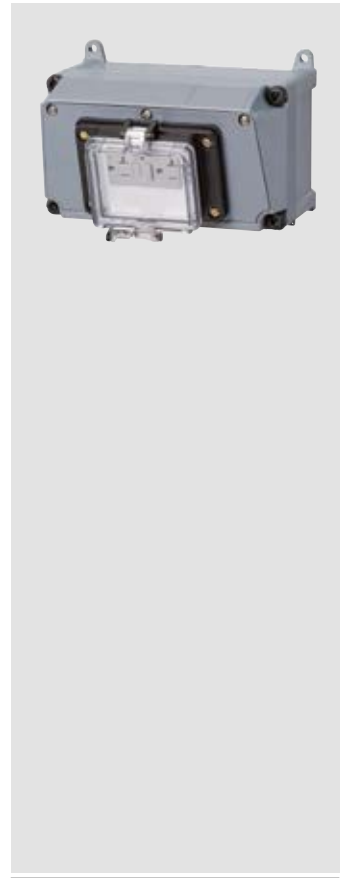
130 x 225 mm (H x W)

**Protection type**

Type 3R

**Catalog Number**

**AMX1A-919011**



**Fitted with**

1 x 20A, 2P, 3W 125V  
GFCI Duplex Receptacle  
with 4X Cover

**Over Current Protection Device**

**Enclosure size**

130 x 225 mm (H x W)

**Protection type**

Type 4X

**Catalog Number**

**AMX1A-919003**



# Custom Power Distribution

## AMAXX® Series

Please consult factory for your custom solution – the possibilities are endless. For dimensions, see page 30.



**Fitted with**  
1x 60A, 2P, 3W, 6h, 250V  
Switched & Interlocked Receptacle

**Over Current Protection Device**

**Enclosure size**  
260 x 225 mm (H x W)

**Protection type**  
Type 4X;12

**Catalog Number**  
**AMX2A-360MI6**



**Fitted with**  
1x 60A, 2P, 3W, 6h, 250V  
Switched & Interlocked Receptacle  
  
1x 20A, 2P, 3W, 125V  
NEMA 5-20R Duplex Receptacle  
with Weatherproof Cover

**Over Current Protection Device**

**Enclosure size**  
260 x 225 mm (H x W)

**Protection type**  
Type 3R

**Catalog Number**  
**AMX2A-360MI6DPLX**



**Fitted with**  
1x 60A, 2P, 3W, 6h, 250V  
Switched & Interlocked Receptacle  
  
1x 20A, 2P, 3W, 125V  
NEMA 5-20R GFCI Receptacle  
with Weatherproof Cover

**Over Current Protection Device**

**Enclosure size**  
260 x 225 mm (H x W)

**Protection type**  
Type 3R

**Catalog Number**  
**AMX2A-360MI6GFI**



**Fitted with**  
1x 60A, 2P, 3W, 6h, 250V  
Switched & Interlocked Receptacle  
  
1x 20A, 2P, 3W, 125V  
NEMA 5-20R GFCI Receptacle  
with EXTRA-DUTY In-Use Cover  
for NEMA

**Over Current Protection Device**

**Enclosure size**  
260 x 225 mm (H x W)

**Protection type**  
Type 3R

**Catalog Number**  
**AMX2A-360MI6GFIU**

# Custom Power Distribution

## AMAXX® Series

Please consult factory for your custom solution – the possibilities are endless. For dimensions, see page 30.



**Fitted with**  
1x 60A, 3P, 4W, 9h, 250V  
Switched & Interlocked Receptacle



**Fitted with**  
1x 60A, 3P, 4W, 9h, 250V  
Switched & Interlocked Receptacle  
  
1x 20A, 2P, 3W, 125V  
NEMA 5-20R Duplex Receptacle  
with Weatherproof Cover



**Fitted with**  
1x 60A, 3P, 4W, 9h, 250V  
Switched & Interlocked Receptacle  
  
1x 20A, 2P, 3W, 125V  
NEMA 5-20R GFCI Receptacle  
with Weatherproof Cover



**Fitted with**  
1x 60A, 3P, 4W, 9h, 250V  
Switched & Interlocked Receptacle  
  
1x 20A, 2P, 3W, 125V  
NEMA 5-20R GFCI Receptacle  
with EXTRA-DUTY In-Use Cover

**Over Current Protection Device**

**Over Current Protection Device**

**Over Current Protection Device**

**Over Current Protection Device**

**Enclosure size**  
260 x 225 mm (H x W)

**Enclosure size**  
260 x 225 mm (H x W)

**Enclosure size**  
260 x 225 mm (H x W)

**Enclosure size**  
260 x 225 mm (H x W)

**Protection type**  
Type 4X;12

**Protection type**  
Type 3R

**Protection type**  
Type 3R

**Protection type**  
Type 3R

**Catalog Number**  
**AMX2A-460MI9**

**Catalog Number**  
**AMX2A-460MI9DPLX**

**Catalog Number**  
**AMX2A-460MI9GFI**

**Catalog Number**  
**AMX2A-460MI9GFIU**

# Custom Power Distribution

## AMAXX® Series

Please consult factory for your custom solution – the possibilities are endless. For dimensions, see page 30.



### Fitted with

1x 60A, 3P, 4W, 7h, 480V  
Switched & Interlocked Receptacle



### Fitted with

1x 60A, 3P, 4W, 7h, 480V  
Switched & Interlocked Receptacle

1x 20A, 2P, 3W, 125V  
NEMA 5-20R Duplex Receptacle  
with Weatherproof Cover



### Fitted with

1x 60A, 3P, 4W, 7h, 480V  
Switched & Interlocked Receptacle

1x 20A, 2P, 3W, 125V  
NEMA 5-20R GFCI Receptacle  
with EXTRA-DUTY In-Use Cover



### Fitted with

1x 60A, 3P, 4W, 7h, 480V  
Switched & Interlocked Receptacle

1x 20A, 2P, 3W, 125V  
NEMA L5-30R Receptacle with  
Weatherproof Cover

### Over Current Protection Device

### Over Current Protection Device

### Over Current Protection Device

### Over Current Protection Device

### Enclosure size

260 x 225 mm (H x W)

### Enclosure size

260 x 225 mm (H x W)

### Enclosure size

260 x 225 mm (H x W)

### Enclosure size

260 x 225 mm (H x W)

### Protection type

Type 4X;12

### Protection type

Type 3R

### Protection type

Type 3R

### Protection type

Type 3R

### Catalog Number

**AMX2A-460MI7**

### Catalog Number

**AMX2A-460MI7DPLX**

### Catalog Number

**AMX2A-460MI7GFIU**

### Catalog Number

**AMX2A-929021**

# Custom Power Distribution

## AMAXX® Series

Please consult factory for your custom solution – the possibilities are endless. For dimensions, see page 30.



**Fitted with**

1x 20A, 3P, 4W, 7h, 480V  
Switched & Interlocked Receptacle

1x 20A, 2P, 3W, 125V  
GFCI Duplex Receptacle with  
4X Cover

**Over Current Protection Device**

**Enclosure size**

260 x 225 mm (H x W)

**Protection type**

Type 4X

**Catalog Number**

**AMX2A-929045**



**Fitted with**

1x 30A, 3P, 4W, 7h, 480V  
Switched & Interlocked Receptacle

1x 20A, 2P, 3W, 125V  
GFCI Duplex Receptacle with  
4X Cover

**Over Current Protection Device**

**Enclosure size**

260 x 225 mm (H x W)

**Protection type**

Type 4X

**Catalog Number**

**AMX2A-929067**



**Fitted with**

2x 20A, 3P, 4W, 250V  
Switched & Interlocked  
Receptacles

**Over Current Protection Device**

**Enclosure size**

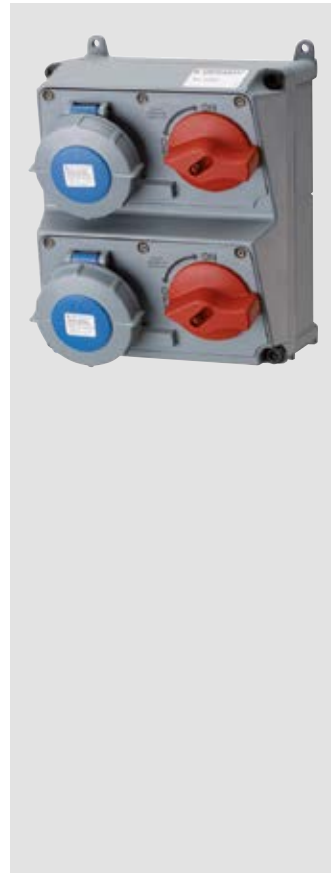
10.24 x 8.86 inch (H x W)

**Protection type**

Type 4X;12

**Catalog Number**

**AMX2A-922087**



**Fitted with**

2x 30A, 3P, 4W, 250V  
Switched & Interlocked  
Receptacles

**Over Current Protection Device**

**Enclosure size**

10.24 x 8.86 inch (H x W)

**Protection type**

Type 4X;12

**Catalog Number**

**AMX2A-921499**



# Custom Power Distribution

## AMAXX® Series

Please consult factory for your custom solution – the possibilities are endless. For dimensions, see page 30.



**Fitted with**

2x 20A, 3P, 4W, 9h, 250V  
Switched & Interlocked  
Receptacles

**Over Current Protection Device**

**Enclosure size**

260 x 225 mm (H x W)

**Protection type**

Type 4X;12

**Catalog Number**

**AMX2A-922088**



**Fitted with**

2x 30A, 3P, 4W, 7h, 480V  
Switched & Interlocked  
Receptacles

**Over Current Protection Device**

**Enclosure size**

260 x 225 mm (H x W)

**Protection type**

Type 4X;12

**Catalog Number**

**AMX2A-921399**



**Fitted with**

1x 20A, 3P, 4W, 9h, 250V  
Switched & Interlocked Receptacle

1x 20A, 2P, 3W, 125V  
NEMA 5-20R GFCI Receptacle  
with EXTRA-DUTY In-Use Cover

**Over Current Protection Device**

**Enclosure size**

260 x 225 mm (H x W)

**Protection type**

Type 3R

**Catalog Number**

**AMX2A-929082**



**Fitted with**

1x 30A, 3P, 4W, 9h, 250V  
Switched & Interlocked Receptacle

1x 20A, 2P, 3W, 125V  
NEMA 5-20R GFCI Receptacle  
with EXTRA-DUTY In-Use Cover

**Over Current Protection Device**

**Enclosure size**

260 x 225 mm (H x W)

**Protection type**

Type 3R

**Catalog Number**

**AMX2A-929083**

# Custom Power Distribution

## AMAXX® Series

Please consult factory for your custom solution – the possibilities are endless. For dimensions, see page 30.



**Fitted with**  
 1x 20A, 3P, 4W, 7h, 480V  
 Switched & Interlocked Receptacle  
  
 1x 20A, 2P, 3W, 125V  
 NEMA 5-20R GFCI Receptacle  
 with EXTRA-DUTY In-Use Cover

**Fitted with**  
 1x 30A, 3P, 4W, 7h, 250V  
 Switched & Interlocked Receptacle  
  
 1x 20A, 2P, 3W, 125V  
 NEMA 5-20R GFCI Receptacle  
 with EXTRA-DUTY In-Use Cover

**Fitted with**  
 4x 30A, 3W, 10HP  
 Motor Disconnect Switches

**Fitted with**  
 3x 20A, 3P, 4W, 9h, 250V  
 Switched & Interlocked  
 Receptacles

**Over Current Protection Device**

**Over Current Protection Device**

**Over Current Protection Device**

**Over Current Protection Device**

**Enclosure size**  
 260 x 225 mm (H x W)

**Enclosure size**  
 260 x 225 mm (H x W)

**Enclosure size**  
 390 x 225 mm (H x W)

**Enclosure size**  
 390 x 225 mm (H x W)

**Protection type**  
 Type 3R

**Protection type**  
 Type 3R

**Protection type**  
 Type 4X;12

**Protection type**  
 Type 4X;12

**Catalog Number**  
**AMX2A-929084**

**Catalog Number**  
**AMX2A-929085**

**Catalog Number**  
**AMX3A-939003**

**Catalog Number**  
**AMX3A-932239**

# Custom Power Distribution

## AMAXX® Series

Please consult factory for your custom solution – the possibilities are endless. For dimensions, see page 30.



**Fitted with**

3x 20A, 3P, 4W, 7h, 480V  
Switched & Interlocked  
Receptacles

**Over Current Protection Device**

**Enclosure size**

390 x 225 mm (H x W)

**Protection type**

Type 4X;12

**Catalog Number**

**AMX3A-932976**



**Fitted with**

3x 30A, 3P, 4W, 7h, 480V  
Switched & Interlocked  
Receptacles

**Over Current Protection Device**

**Enclosure size**

390 x 225 mm (H x W)

**Protection type**

Type 4X;12

**Catalog Number**

**AMX3A-932238**



**Fitted with**

2x 20A, 3P, 4W, 9h, 250V  
Switched & Interlocked  
Receptacles

1x 20A, 2P, 3W, 125V  
NEMA 5-20R GFCI Receptacle  
with EXTRA-DUTY In-Use Cover

**Over Current Protection Device**

**Enclosure size**

390 x 225 mm (H x W)

**Protection type**

Type 3R

**Catalog Number**

**AMX3A-939060**



**Fitted with**

2x 30A, 3P, 4W, 9h, 250V  
Switched & Interlocked  
Receptacles

1x 20A, 2P, 3W, 125V  
NEMA 5-20R GFCI Receptacle  
with EXTRA-DUTY In-Use Cover

**Over Current Protection Device**

**Enclosure size**

390 x 225 mm (H x W)

**Protection type**

Type 3R

**Catalog Number**

**AMX3A-939061**

# Custom Power Distribution

## AMAXX® Series

Please consult factory for your custom solution – the possibilities are endless. For dimensions, see page 30.



### Fitted with

2x 20A, 3P, 4W, 9h, 250V  
Switched & Interlocked  
Receptacles

### Over Current Protection Device

2 MCB's 20A, 3P, K

### Enclosure size

390 x 225 mm (H x W)

### Protection type

Type 4X;12

### Catalog Number

**AMX3A-933222**



### Fitted with

2x 30A, 3P, 4W, 9h, 250V  
Switched & Interlocked  
Receptacles

### Over Current Protection Device

2 MCB's 30A, 3P, K

### Enclosure size

390 x 225 mm (H x W)

### Protection type

Type 4X;12

### Catalog Number

**AMX3A-933224**



### Fitted with

2x 20A, 3P, 4W, 7h, 480V  
Switched & Interlocked  
Receptacles

1x 20A, 2P, 3W, 125V  
NEMA 5-20R GFCI Receptacle  
with EXTRA-DUTY In-Use Cover

### Over Current Protection Device

### Enclosure size

390 x 225 mm (H x W)

### Protection type

Type 3R

### Catalog Number

**AMX3A-939064**



### Fitted with

2x 30A, 3P, 4W, 7h, 480V  
Switched & Interlocked  
Receptacles

1x 20A, 2P, 3W, 125V  
NEMA 5-20R GFCI Receptacle  
with EXTRA-DUTY In-Use Cover

### Over Current Protection Device

### Enclosure size

390 x 225 mm (H x W)

### Protection type

Type 3R

### Catalog Number

**AMX3A-939065**



# Custom Power Distribution

## AMAXX® Series

Please consult factory for your custom solution – the possibilities are endless. For dimensions, see page 30.



### Fitted with

2x 20A, 3P, 4W, 7h, 480V  
Switched & Interlocked  
Receptacles

### Over Current Protection Device

2 MCB's 20A, 3P, K

### Enclosure size

390 x 225 mm (H x W)

### Protection type

Type 4X;12

### Catalog Number

**AMX3A-933223**



### Fitted with

2x 30A, 3P, 4W, 7h, 480V  
Switched & Interlocked  
Receptacles

### Over Current Protection Device

2 MCB's 30A, 3P, K

### Enclosure size

390 x 225 mm (H x W)

### Protection type

Type 4X;12

### Catalog Number

**AMX3A-933225**



### Fitted with

4x 20A, 3P, 4W, 9h, 250V  
Switched & Interlocked  
Receptacles

### Over Current Protection Device

### Enclosure size

520 x 225 mm (H x W)

### Protection type

Type 4X;12

### Catalog Number

**AMX4A-942998**



### Fitted with

4x 30A, 3P, 4W, 9h, 250V  
Switched & Interlocked  
Receptacles

### Over Current Protection Device

### Enclosure size

520 x 225 mm (H x W)

### Protection type

Type 4X;12

### Catalog Number

**AMX4A-943008**

# Custom Power Distribution

## AMAXX® Series

Please consult factory for your custom solution – the possibilities are endless. For dimensions, see page 30.



### Fitted with

4x 20A, 3P, 4W, 7h, 480V  
Switched & Interlocked  
Receptacles

### Over Current Protection Device

### Enclosure size

520 x 225 mm (H x W)

### Protection type

Type 4X;12

### Catalog Number

**AMX4A-942988**



### Fitted with

4x 30A, 3P, 4W, 7h, 480V  
Switched & Interlocked  
Receptacles

### Over Current Protection Device

### Enclosure size

520 x 225 mm (H x W)

### Protection type

Type 4X;12

### Catalog Number

**AMX4A-943007**



### Fitted with

3x 30A, 3P, 4W, 9h, 250V  
Switched & Interlocked  
Receptacles

1x 20A, 2P, 3W, 125V  
NEMA 5-20R GFCI Receptacle  
with EXTRA-DUTY In-Use Cover

### Over Current Protection Device

### Enclosure size

520 x 225 mm (H x W)

### Protection type

Type 3R

### Catalog Number

**AMX4A-949032**



### Fitted with

2x 30A, 3P, 4W, 7h, 480V  
Switched & Interlocked  
Receptacles

1x 30A, 3P, 4W, 9h, 250V  
Switched & Interlocked Receptacle

1x 20A, 2P, 3W, 125V  
NEMA 5-20R GFCI Receptacle  
with EXTRA-DUTY In-Use Cover

### Over Current Protection Device

### Enclosure size

520 x 225 mm (H x W)

### Protection type

Type 3R

### Catalog Number

**AMX4A-949034**

# Custom Power Distribution

## AMAXX® Series

Please consult factory for your custom solution – the possibilities are endless. For dimensions, see page 30.



### Fitted with

3x 20A, 3P, 4W, 9h, 250V  
Switched & Interlocked  
Receptacles

### Over Current Protection Device

3 MCB's 20A, 3P, K

### Enclosure size

520 x 225 mm (H x W)

### Protection type

Type 4X;12

### Catalog Number

**AMX4A-943233**



### Fitted with

3x 30A, 3P, 4W, 9h, 250V  
Switched & Interlocked  
Receptacles

### Over Current Protection Device

3 MCB's 30A, 3P, K

### Enclosure size

520 x 225 mm (H x W)

### Protection type

Type 4X;12

### Catalog Number

**AMX4A-943235**



### Fitted with

3x 20A, 3P, 4W, 7h, 480V  
Switched & Interlocked  
Receptacles  
  
1x 20A, 2P, 3W, 125V  
NEMA 5-20R GFCI Receptacle  
with EXTRA-DUTY In-Use Cover

### Over Current Protection Device

### Enclosure size

520 x 225 mm (H x W)

### Protection type

Type 3R

### Catalog Number

**AMX4A-949035**



### Fitted with

3x 30A, 3P, 4W, 7h, 480V  
Switched & Interlocked  
Receptacles  
  
1x 20A, 2P, 3W, 125V  
NEMA 5-20R GFCI Receptacle  
with EXTRA-DUTY In-Use Cover

### Over Current Protection Device

### Enclosure size

520 x 225 mm (H x W)

### Protection type

Type 3R

### Catalog Number

**AMX4A-949036**

# Custom Power Distribution

## AMAXX® Series

Please consult factory for your custom solution – the possibilities are endless. For dimensions, see page 30.



### Fitted with

3x 20A, 3P, 4W, 7h, 480V  
Switched & Interlocked  
Receptacles

### Over Current Protection Device

3 MCB's 20A, 3P, K

### Enclosure size

520 x 225 mm (H x W)

### Protection type

Type 4X;12

### Catalog Number

**AMX4A-943234**



### Fitted with

3x 30A, 3P, 4W, 7h, 480V  
Switched & Interlocked  
Receptacles

### Over Current Protection Device

3 MCB's 30A, 3P, K

### Enclosure size

520 x 225 mm (H x W)

### Protection type

Type 4X;12

### Catalog Number

**AMX4A-943236**



### Fitted with

5x 20A, 3P, 4W, 9h, 250V  
Switched & Interlocked  
Receptacles

### Over Current Protection Device

### Enclosure size

650 x 225 mm (H x W)

### Protection type

Type 4X;12

### Catalog Number

**AMX5A-951178**



### Fitted with

5x 30A, 3P, 4W, 9h, 250V  
Switched & Interlocked  
Receptacles

### Over Current Protection Device

### Enclosure size

650 x 225 mm (H x W)

### Protection type

Type 4X;12

### Catalog Number

**AMX5A-951184**



# Custom Power Distribution

## AMAXX® Series

Please consult factory for your custom solution – the possibilities are endless. For dimensions, see page 30.



### Fitted with

5x 20A, 3P, 4W, 7h, 480V  
Switched & Interlocked  
Receptacles

### Over Current Protection Device

### Enclosure size

650 x 225 mm (H x W)

### Protection type

Type 4X;12

### Catalog Number

**AMX5A-951176**



### Fitted with

5x 30A, 3P, 4W, 7h, 480V  
Switched & Interlocked  
Receptacles

### Over Current Protection Device

### Enclosure size

650 x 225 mm (H x W)

### Protection type

Type 4X;12

### Catalog Number

**AMX5A-951183**



### Fitted with

4x 30A, 3P, 4W, 9h, 250V  
Switched & Interlocked  
Receptacles

1x 20A, 2P, 3W, 125V  
NEMA 5-20R GFCI Receptacle  
with EXTRA-DUTY  
In-Use Cover

### Over Current Protection Device

### Enclosure size

650 x 225 mm (H x W)

### Protection type

Type 3R

### Catalog Number

**AMX5A-959083**



### Fitted with

4x 30A, 3P, 4W, 7h, 480V  
Switched & Interlocked  
Receptacles

1x 20A, 2P, 3W, 125V  
NEMA 5-20R GFCI Receptacle  
with EXTRA-DUTY  
In-Use Cover

### Over Current Protection Device

### Enclosure size

650 x 225 mm (H x W)

### Protection type

Type 3R

### Catalog Number

**AMX5A-959087**

# Custom Power Distribution

## AMAXX® Series

Please consult factory for your custom solution – the possibilities are endless. For dimensions, see page 30.



### Fitted with

3x 20A, 3P, 4W, 9h, 250V  
Switched & Interlocked  
Receptacles

1x 20A, 2P, 3W, 125V  
5-20R NEMA Twin GFCI  
Receptacle with EXTRA-DUTY  
In-Use Cover

### Over Current Protection Device

3x MCB's 20A, 3P, K

1x MCB 20A, 1P, K

### Enclosure size

650 x 225 mm (H x W)

### Protection type

Type 3R

### Catalog Number

**AMX5A-959064**



### Fitted with

3x 30A, 3P, 4W, 9h, 250V  
Switched & Interlocked  
Receptacles

1x 20A, 2P, 3W, 125V  
5-20R NEMA Twin GFCI  
Receptacle with EXTRA-DUTY  
In-Use Cover

### Over Current Protection Device

3x MCB's 30A, 3P, K

1x MCB 20A, 1P, K

### Enclosure size

650 x 225 mm (H x W)

### Protection type

Type 3R

### Catalog Number

**AMX5A-959063**



### Fitted with

1x 60A, 3P, 4W, 7h, 480V  
Switched & Interlocked Receptacle

2x 30A, 3P, 4W, 7h, 480V  
Switched & Interlocked Receptacle

### Over Current Protection Device

1x MCB 60A, 3P, K

2x MCB's 30A, 3P, K

### Enclosure size

650 x 225 mm (H x W)

### Protection type

Type 4X;12

### Catalog Number

**AMX5A-951484**



### Fitted with

1x 60A, 3P, 4W, 7h, 480V  
Switched & Interlocked Receptacle

2x 30A, 3P, 4W, 7h, 480V  
Switched & Interlocked  
Receptacles

1x 20A, 2P, 3W, 125V  
5-20R NEMA Twin GFCI  
Receptacle with EXTRA-DUTY  
In-Use Cover

### Over Current Protection Device

1x MCB 60A, 3P, K

2x MCB's 30A, 3P, K

### Enclosure size

650 x 225 mm (H x W)

### Protection type

Type 3R

### Catalog Number

**AMX5A-959061**

# Custom Power Distribution

## AMAXX® Carrier frame and EverMAXX Series

Please consult factory for your custom solution – the possibilities are endless.

### Portable Options for AMAXX®

Portable Stand for AMAXX® 2, 3 and 4 Gang boxes.  
AMAXX® Stand Catalog Number: **AMX-15696**



### EverMAXX Portable Power Distribution

Get the flexibility and customization of our AMAXX product line in an innovative, rugged and portable design.

Device Options:

- Various Receptacles
  - Pin & Sleeve
  - NEMA Locking Devices
  - Convenience Outlets
- Switched & Interlocked Receptacles
- Overcurrent Protection



Shown:  
Switched and Interlocked Receptacle Modules with  
Overload Protection

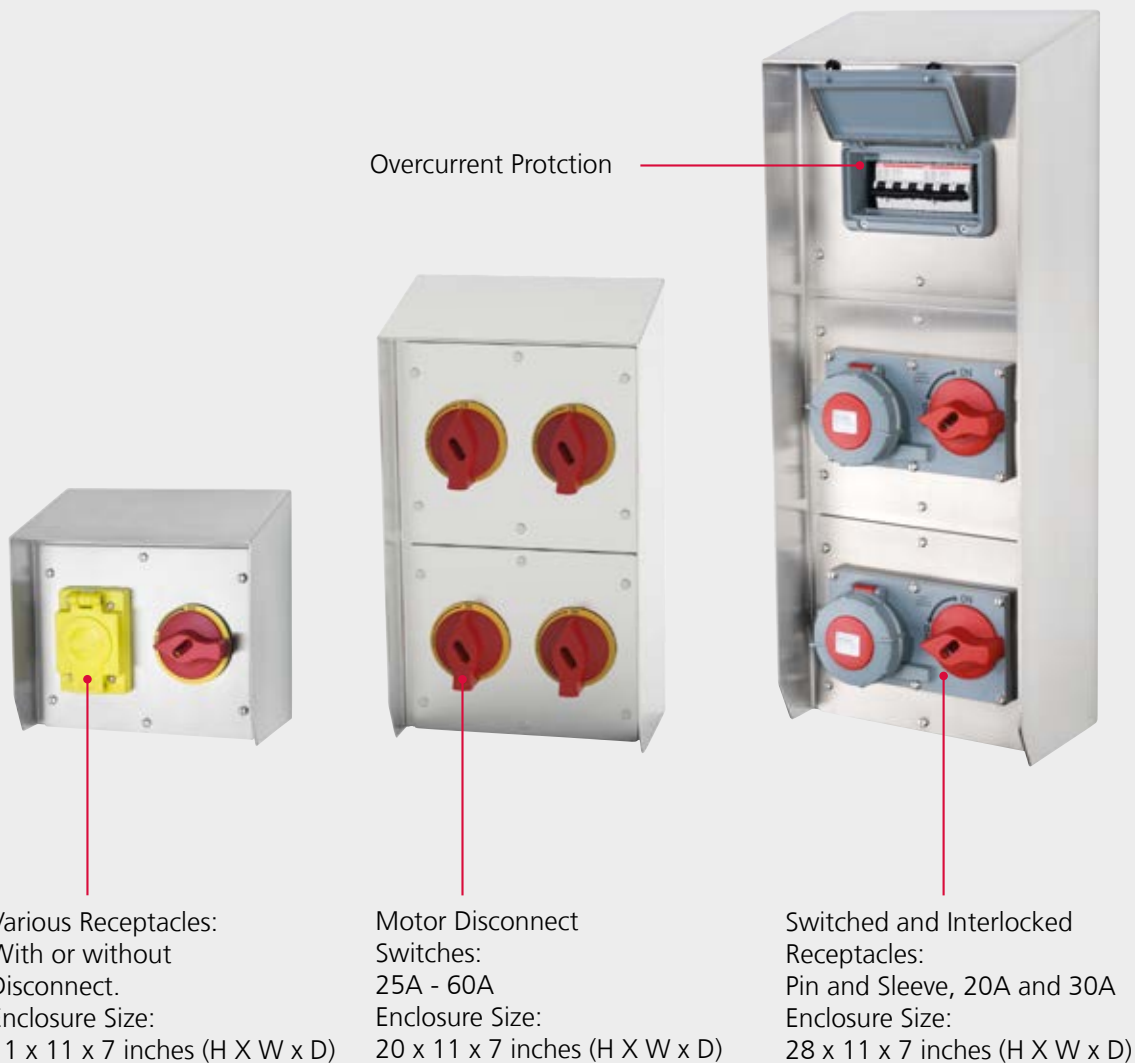
# Custom Power Distribution

## SpecMAXX Series


Please consult factory for your custom solution – the possibilities are endless.

### SpecMAXX Power Distribution Sloped-Top Stainless Steel Enclosure NEMA 4X; 12

With SpecMAXX, create a custom power distribution center in a NEMA 4X Stainless Steel, Sloped-Top Enclosure. Our superior enclosure design features a 15° sloped roof and drainage channel to facilitate run-off of liquids and contaminants for the ultimate clean installation. Choose from 3 enclosure sizes and various receptacles or motor disconnects; add overcurrent Protection if needed. Our unique enclosure system allows you to customize quickly and easily, with SpecMAXX, the possibilities are endless.



#### Features and Benefits:

-  Listed Enclosure, Type 4X; 12
- Available in single gang to three-gang unit
- 15° Sloped-Top for runoff of liquids
- 304 Stainless with low RA value finish
- One piece punched gasket and sealed mounting holes for Type 4X protection
- Removable module plates with captive hardware and retention straps
- Customizable for your application; pre-wired factory combinations available



# Switched and Interlocked Receptacles

Product information

Enhanced safety.  
Fusible or non-fusible.



# Switched and Interlocked Receptacles

## Product information

### MENNEKES® Switched and Interlocked Receptacles.

Switched and Interlocked Receptacles provide safety and durability in one pre-wired unit. Patented interlock mechanism prohibits the switch from being turned "ON" unless the plug is fully inserted. The plug cannot be removed unless the switch is turned "OFF".

DIN rail and screw mounting of components facilitates maintenance.

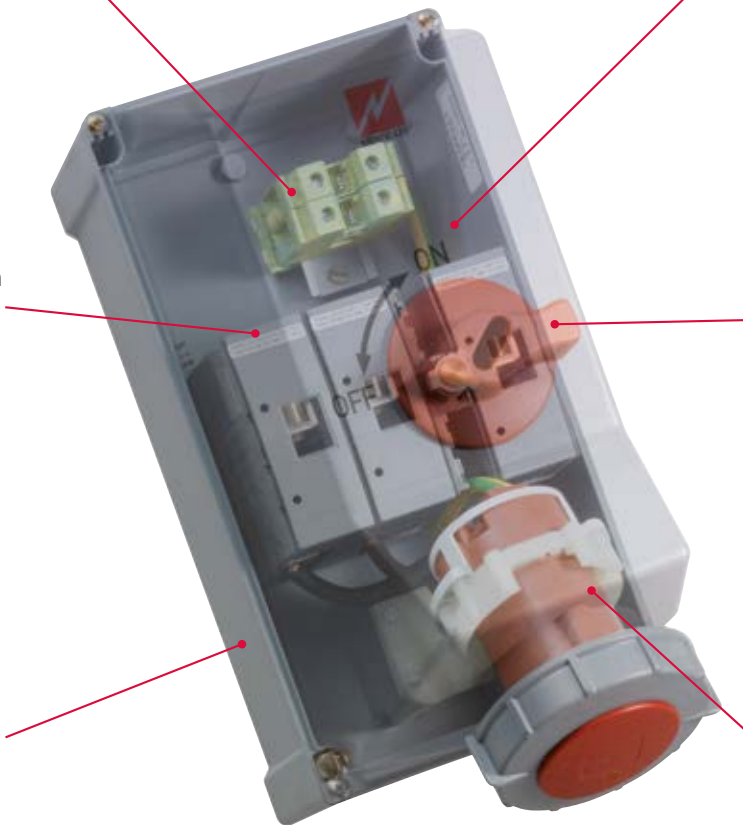
Generous wiring space allows for convenient access to field terminals.

Heavy-duty HP Rated switch factory wired to receptacle. Oversized terminals help ease installation.

High visibility, pad-lockable handle actuates switch and receptacle interlock mechanism to assure "no-load" make and break of plug connected equipment.

NEMA 4X Valox enclosure; impact modified and chemical-resistant. Features poured-in-place gasketing and molded conduit drillpoints in top, bottom and rear wall.

Thermoplastic receptacle available in 20A, 30A, 60A and 100A IEC 60309 configurations. Compatible with like-rate plugs from other manufacturers.



## Features and benefits

- **Factory Wired - Single Unit Construction** - Receptacle is pre-wired to the switch for quick installation. Mount with moveable mounting feet to allow for irregular surfaces or utilize the internal mounting tubes when mounting area is limited.
- **Switch** - Available non-fusible and fusible (30A & 60A). Self-cleaning contacts are driven by solid bridge bar to prevent single phasing of motors. Quick-Make/Quick-Break action provides long electrical life. Positive opening operation protects personnel from welded contacts.
- **NEMA 4X; 12 Enclosure** - Uses poured-in seamless gasket and stainless fixing screws for the ultimate seal. Impact modified Valox enclosure is resistant to harsh environments. Hidden Hinge System on fusible units eliminates sanitation concerns.
- **Padlockable Handle** - Rugged high visibility design to comply with OSHA LO/TO requirements. (Reg. 1910.147).
- **Auxiliary Contacts** - Full range available in N/O and N/C style.

# Switched and Interlocked Receptacles

LockOUT-LET Series ■ Non-Fusible Interlocked ■ 20, 30 & 60 Amp; NEMA 4X; 12



Amp	Configuration	Voltage	HP Rating Standard	Receptacle Catalog No.	Mating Plug Catalog No.
20	3 Pole, 4 Wire	125/250	1/3	<b>ME 420MI12</b>	<b>ME 420P12W</b>
		3Ø250	7.5	<b>ME 420MI9</b>	<b>ME 420P9W</b>
		3Ø480	15	<b>ME 420MI7</b>	<b>ME 420P7W</b>
		3Ø600	15	<b>ME 420MI5</b>	<b>ME 420P5W</b>
30	2 Pole, 3 Wire	125	2	<b>ME 330MI4</b>	<b>ME 330P4W</b>
		250	5	<b>ME 330MI6</b>	<b>ME 330P6W</b>
		480	10	<b>ME 330MI7</b>	<b>ME 330P7W</b>
	3 Pole, 4 Wire	125/250	2; 5	<b>ME 430MI12</b>	<b>ME 430P12W</b>
		3Ø250	10	<b>ME 430MI9</b>	<b>ME 430P9W</b>
		3Ø480	20	<b>ME 430MI7</b>	<b>ME 430P7W</b>
4 Pole, 5 Wire	3ØY120/208 3ØY277/480 3ØY347/600	20	7.5	<b>ME 530MI9</b>	<b>ME 530P9W</b>
		20	20	<b>ME 530MI7</b>	<b>ME 530P7W</b>
		20	20	<b>ME 530MI5</b>	<b>ME 530P5W</b>
60	2 Pole, 3 Wire	250	10	<b>ME 360MI6</b>	<b>ME 360P6W</b>
		480	20	<b>ME 360MI7</b>	<b>ME 360P7W</b>
	3 Pole, 4 Wire	125/250	3; 10	<b>ME 460MI12</b>	<b>ME 460P12W</b>
		3Ø250	20	<b>ME 460MI9</b>	<b>ME 460P9W</b>
		3Ø480	40	<b>ME 460MI7</b>	<b>ME 460P7W</b>
	4 Pole, 5 Wire	3ØY120/208 3ØY277/480 3ØY347/600	50	50	<b>ME 460MI5</b>
20			20	<b>ME 560MI9</b>	<b>ME 560P9W</b>
			40	<b>ME 560MI7</b>	<b>ME 560P7W</b>
			50	<b>ME 560MI5</b>	<b>ME 560P5W</b>

## Compliances and Features:

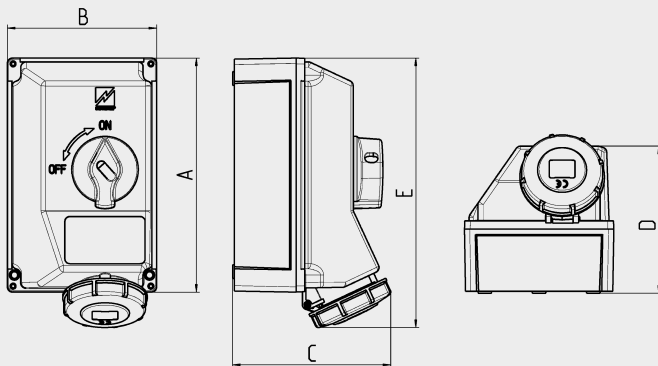
- Standard 508; Industrial Control Equipment
- to CSA 22.2 No. 4-M91
- Standards 1682; 1686 - Plugs and Receptacles, Pin and Sleeve Style
- IEC 60309-1; IEC 60309-2
- Environmental: NEMA Type 4X; 12
- UL94 - 5V Flame Rating
- UV Stabilized Material
- SCCR - 65kA RMS Symmetrical when protected with equally sized Class J Fuse
- UL Endurance Test:  
10,000 Electrical Cycles, 15,000 Mechanical Cycles

## AUXILIARY CONTACTS: 10A 600 VAC

Description	Catalog No.
For 20 & 30 Amp, 1 N/O and 1 N/C	<b>ME 30AUX</b>
For 60 Amp, 1 N/O and 1 N/C	<b>ME 80AUX</b>

## Replacement Switches

Description	Catalog No.
20 Amp	<b>ME 20MIX</b>
30 Amp	<b>ME 30MIX</b>
60 Amp	<b>ME 60MIX</b>



## Approximate Dimensions (in inches)

	20 Amp	30 Amp 3, 4 Wire	30 Amp 5 Wire	60 Amp
A	8.86	10.30	8.86	13.00
B	4.65	6.56	4.65	7.00
C	6.77	6.69	6.77	9.25
D	6.63	6.44	6.63	8.38
E	6.50	12.00	6.88	14.62
Hub size	1	1	1	1 1/4

# Switched and Interlocked Receptacles

LockOUT-LET Series ■ Fusible Interlocked ■ 30 & 60 Amp; NEMA 4X; 12



Amp	Configuration	Voltage	HP Rating Standard	HP Rating Maximum *	Receptacle Catalog No.	Mating Plug Catalog No.
30	2 Pole, 3 Wire	250	1 1/2	5	<b>ME 330MIF6</b>	<b>ME 330P6W</b>
	3 Pole, 4 Wire	125/250	1/2; 1 1/2	2; 5	<b>ME 430MIF12</b>	<b>ME 430P12W</b>
		3Ø250	3	7.5	<b>ME 430MIF9</b>	<b>ME 430P9W</b>
		3Ø480	5	15	<b>ME 430MIF7</b>	<b>ME 430P7W</b>
3Ø600	7 1/2	20	<b>ME 430MIF5</b>	<b>ME 430P5W</b>		
60	2 Pole, 3 Wire	250	3	10	<b>ME 360MIF6</b>	<b>ME 360P6W</b>
	3 Pole, 4 Wire	125/250	1 1/2; 3	3; 10	<b>ME 460MIF12</b>	<b>ME 460P12W</b>
		3Ø250	7.5	15	<b>ME 460MIF9</b>	<b>ME 460P9W</b>
		3Ø480	15	30	<b>ME 460MIF7</b>	<b>ME 460P7W</b>
		3Ø600	15	30	<b>ME 460MIF5</b>	<b>ME 460P5W</b>
	4 Pole, 5 Wire	3ØY120/208	7.5	15	<b>ME 560MIF9</b>	<b>ME 560P9W</b>
3ØY277/480		15	30	<b>ME 560MIF7</b>	<b>ME 560P7W</b>	
3ØY347/600	15	50	<b>ME 560MIF5</b>	<b>ME 560P5W</b>		

\* Requires use of Time Delay - Fuses not provided.  
Fuse Holders for Type J Fuses, CC Available for 30A Models.

## Compliances and Features:

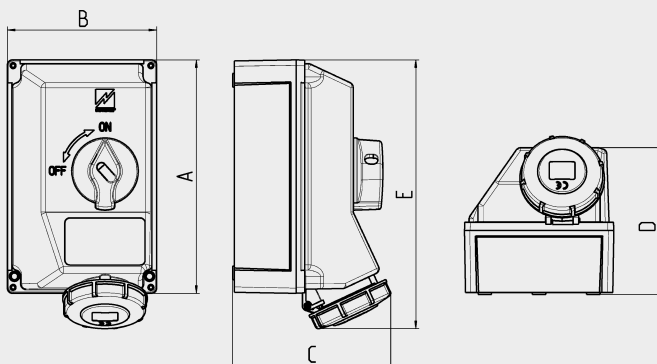
- Standard 98; Enclosed Switches
- to CSA 22.2 No. 4-M89; Enclosed Switches
- Standards 1682; 1686 - Plugs and Receptacles, Pin and Sleeve Style
- IEC 60309-1; IEC 60309-2
- Environmental: NEMA Type 4X; 12
- UL94 - 5V Flame Rating
- UV Stabilized Material
- Switch: 100kAIC Short Circuit Rating
- UL Endurance Test: 6,000 Electrical Cycles, 10,000 Mechanical Cycles
- Removable Type J fuse holders
- Hinged Enclosure for convenient access

## AUXILIARY CONTACTS: 10A 600 VAC

Description	Catalog No.
For 30 Amp, 1 N/O or 1 N/C	<b>ME 30FDAUX</b>
For 60 Amp, 1 N/O and 1 N/C	<b>ME 60FDAUX</b>

## Replacement Switches

Description	Catalog No.
30 Amp	<b>ME 30MIFX</b>
60 Amp	<b>ME 60MIFX</b>



## Approximate Dimensions (in inches)

	30 Amp	60 Amp
A	10.30	13.00
B	6.56	7.00
C	6.69	9.25
D	6.44	8.38
E	12.00	14.62

# Switched and Interlocked Receptacles

LockOUT-LET Series ■ Non-Fusible Interlocked ■ 100 Amp; NEMA 4X; 12



Amp	Configuration	Voltage	HP Rating Standard	Receptacle Catalog No.	Mating Plug Catalog No.
100	2 Pole, 3 Wire	1Ø125	5	<b>ME 3100MI4</b>	<b>ME 3100P4W</b>
		1Ø250	15	<b>ME 3100MI6</b>	<b>ME 3100P6W</b>
		1Ø480	30	<b>ME 3100MI7</b>	<b>ME 3100P7W</b>
	3 Pole, 4 Wire	1Ø 2P 125/250 3Ø250 3Ø480 3Ø600	5/15	<b>ME 4100MI12</b>	<b>ME 4100P12W</b>
			25	<b>ME 4100MI9</b>	<b>ME 4100P9W</b>
			50	<b>ME 4100MI7</b>	<b>ME 4100P7W</b>
			50	<b>ME 4100MI5</b>	<b>ME 4100P5W</b>
	4 Pole, 5 Wire	3ØY120/208 3ØY277/480 3ØY347/600	25	<b>ME 5100MI9</b>	<b>ME 5100P9W</b>
			50	<b>ME 5100MI7</b>	<b>ME 5100P7W</b>
50			<b>ME 5100MI5</b>	<b>ME 5100P5W</b>	

## Compliances and Features:

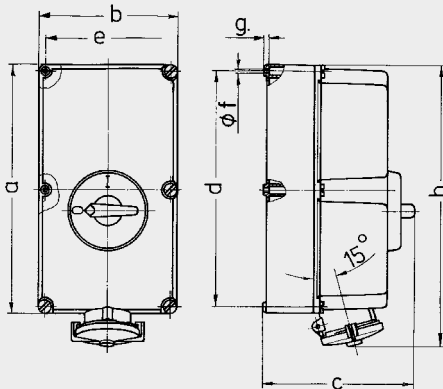
- Standard 508; Industrial Control Equipment
- to CSA 22.2 No. 4-M89
- Standards 1682; 1686 - Plugs and Receptacles, Pin and Sleeve Style
- IEC 60309-1; IEC 60309-2

## AUXILIARY CONTACTS: 10A 600 VAC

Description	Catalog No.
100 Amp, 1 N/O and 1 N/C	<b>ME 80AUX</b>

## Replacement Switches

Description	Catalog No.
100 Amp	<b>ME 100MIX</b>



## Approximate Dimensions (in inches)

	2 Pole 3 Wire	3 Pole 4 Wire	4 Pole 5 Wire
a	18.11	18.11	18.11
b	10.24	10.24	10.24
c	11.14	11.14	11.14
d	17.09	17.09	17.09
e	9.21	9.21	9.21
f	0.43	0.43	0.43
g	0.35	0.35	0.35
h	20.67	20.67	20.67



# Switched and Interlocked Receptacles

FCB Window Series ■ Fusible Interlocked ■ 100 Amp; NEMA 4X; 12

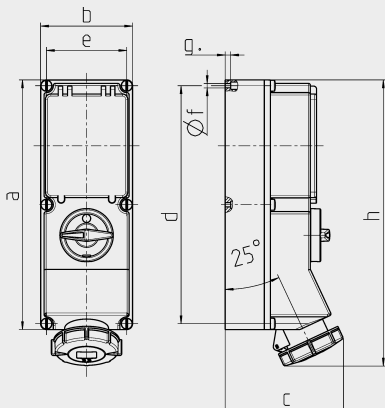


Amp	Configuration	Voltage	MAX. HP RATING +	Catalog No. Fused	Catalog No. Circuit Breaker	Breaker Rated Interruption Capacity
20	3 Pole, 4 Wire	3Ø250	5	<b>ME 420MIF9-JW</b> <b>ME 420MIF7-W</b>	<b>ME 420MICB9-10</b> <b>ME 420MICB7-10</b>	10kAIC 10kAIC
		3Ø480	10			
30	3 Pole, 4 Wire	3Ø250	7.5	<b>ME 430MIF9-JW</b> <b>ME 430MIF7-JW</b>	<b>ME 430MICB9-10</b> <b>ME 430MICB7-10</b>	10kAIC 10kAIC
		3Ø480	15			
60	3 Pole, 4 Wire	3Ø250	15	<b>ME 460MIF9-JW</b> <b>ME 460MIF7-JW</b>	<b>ME 460MICB9-10</b> <b>ME 460MICB7-10</b>	10kAIC 10kAIC
		3Ø480	30			
	4 Pole, 5 Wire	3ØY277/480	15	<b>ME 530MIF7-JW</b>	<b>ME 530MICB7-10</b>	10kAIC
		3ØY120/208 3ØY277/480	30			

+ Requires use of time delay fuses with fused Cat. Nos.

## Compliances and Features:

- Switch: Standard 508; Industrial Control Equipment
- Receptacles: Standards 1682; 1686 Plugs and Receptacles, Pin and Sleeve Style
- IEC 60309-1; IEC 60309-2
- Environmental: NEMA Type 4X; 12
- UL94 - 5V Flame Rating
- UV Stabilized Material



## Approximate Dimensions (in inches)

	20 Amp		30 Amp		60 Amp	
	4 Wire	4 Wire	4 Wire	5 Wire	4 Wire	5 Wire
a	14.33	14.33	14.33	14.33	18.11	18.11
b	5.27	5.27	5.27	5.27	7.08	7.08
c	6.22	6.49	6.53	6.53	7.95	7.95
d	13.66	13.66	13.66	13.66	17.32	17.32
e	4.56	4.56	4.56	4.56	6.29	6.29
Øf	0.24	0.24	0.24	0.24	0.31	0.31
g.	0.31	0.31	0.31	0.31	0.31	0.31
h	15.35	15.86	16.02	16.02	19.88	19.88

# Switched and Interlocked Receptacles

HMI Series ■ Non-Fusible Interlocked ■ 20 Amp; NEMA 4X; 12

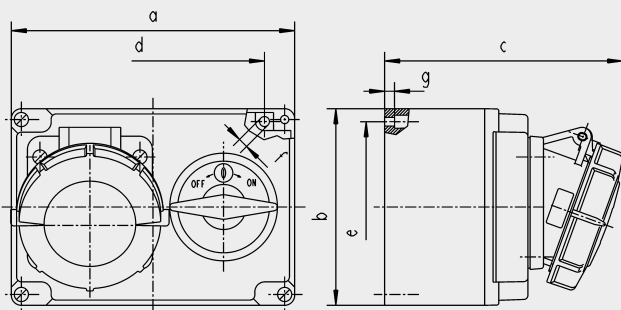


Amp	Configuration	Voltage	HP Rating	Catalog No. *	Mating Plug Catalog No.
20	2 Pole, 3 Wire	125	1	<b>ME 320HMI4</b>	<b>ME 320P4W</b>
		250	2.5	<b>ME 320HMI6</b>	<b>ME 320P6W</b>
		480	5	<b>ME 320HMI7</b>	<b>ME 320P7W</b>
20	3 Pole, 4 Wire	125/250	1; 2.5	<b>ME 420HMI12</b>	<b>ME 420P12W</b>
		3Ø250	5	<b>ME 420HMI9</b>	<b>ME 420P9W</b>
		3Ø480	10	<b>ME 420HMI7</b>	<b>ME 420P7W</b>
		3Ø600	10	<b>ME 420HMI5</b>	<b>ME 420P5W</b>
20	4 Pole, 5 Wire	3ØY120/208	5	<b>ME 520HMI9</b>	<b>ME 520P9W</b>

\* Auxiliary Contact Option. Add suffix M2 to CAT. NO. 1 N/O; 1 N/C.

## Compliances and Features:

- Switch: Standard 508; Industrial Control Equipment
- Receptacles: Standards 1682; 1686 Plugs and Receptacles, Pin and Sleeve Style
- IEC 60309-1; IEC 60309-2
- Environmental: NEMA Type 4X; 12
- UL94 - 5V Flame Rating
- UV Stabilized Material



Approximate Dimensions (in inches)

	2 Pole 3 Wire	3 Pole 4 Wire	4 Pole 5 Wire
a	6.69	6.69	6.69
b	4.62	4.64	4.64
c	5.35	5.47	5.62
d	5.35	5.35	5.35
e	4.09	4.09	4.09
f	0.24	0.24	0.24
g	0.23	0.23	0.23

# Switched and Interlocked Receptacles

SPEC Grade Stainless Steel Series ■ Non-Fusible Interlocked ■ 20, 30 Amp; NEMA 4X; 12

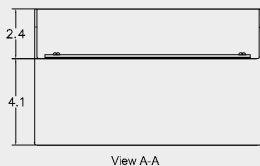
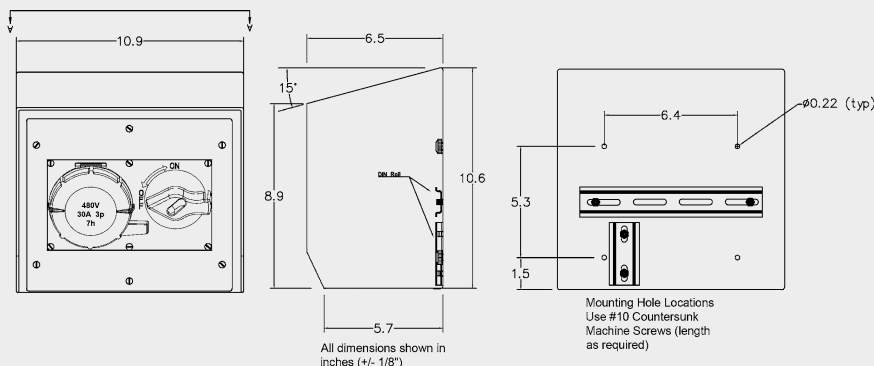


Amp	Configuration	Voltage	HP Rating Standard	Receptacle Catalog No.	Mating Plug Catalog No.
20	2 Pole, 3 Wire	125 250	0.75 1.5	<b>ME 320SLPMI4</b> <b>ME 320SLPMI6</b>	<b>ME 320P4W</b> <b>ME 320P6W</b>
	3 Pole, 4 Wire	125/250 3Ø250 3Ø480 3Ø600	0.75; 1.5 3 7.5 7.5	<b>ME 420SLPMI12</b> <b>ME 420SLPMI9</b> <b>ME 420SLPMI7</b> <b>ME 420SLPMI5</b>	<b>ME 420P12W</b> <b>ME 420P9W</b> <b>ME 420P7W</b> <b>ME 420P5W</b>
	4 Pole, 5 Wire	3ØY120/208 3ØY277/480 3ØY347/600	3 7.5 7.5	<b>ME 520SLPMI9</b> <b>ME 520SLPMI7</b> <b>ME 520SLPMI5</b>	<b>ME 520P9W</b> <b>ME 520P7W</b> <b>ME 520P5W</b>
30	2 Pole, 3 Wire	125 250	1.5 3	<b>ME 330SLPMI4</b> <b>ME 330SLPMI6</b>	<b>ME 330P4W</b> <b>ME 330P6W</b>
	3 Pole, 4 Wire	125/250 3Ø250 3Ø480 3Ø600 380-440	1.5; 3 7.5 15 15 10	<b>ME 430SLPMI12</b> <b>ME 430SLPMI9</b> <b>ME 430SLPMI7</b> <b>ME 430SLPMI5</b> <b>ME 432SLPMI3</b>	<b>ME 430P12W</b> <b>ME 430P9W</b> <b>ME 430P7W</b> <b>ME 430P5W</b> <b>ME 432P3W-2175</b>
	4 Pole, 5 Wire	3ØY120/208 3ØY277/480 3ØY347/600	7.5 15 15	<b>ME 530SLPMI9</b> <b>ME 530SLPMI7</b> <b>ME 530SLPMI5</b>	<b>ME 530P9W</b> <b>ME 530P7W</b> <b>ME 530P5W</b>

Optional Mounting Accessory: Stainless Steel Plate with 3/4" Stands-Offs, see page 74.

## Compliances and Features:

- Standard 508; Industrial Control Equipment
- to CSA 22.2 No. 4-M91
- Standards 1682; 1686 - Plugs and Receptacles, Pin and Sleeve Style
- IEC 60309-1; IEC 60309-2
- Environmental: NEMA Type 4X; 12
- UL94 - 5V Flame Rating
- SCCR - 65kA RMS Symmetrical when protected with equally sized Class J Fuse
- UL Endurance Test:  
10,000 Electrical Cycles, 15,000 Mechanical Cycles



# Motor Disconnect Switches and Specialty Enclosures

Product information

Non-Metallic  
or  
Stainless Steel.



# Motor Disconnect Switches and Specialty Enclosures

## Product information

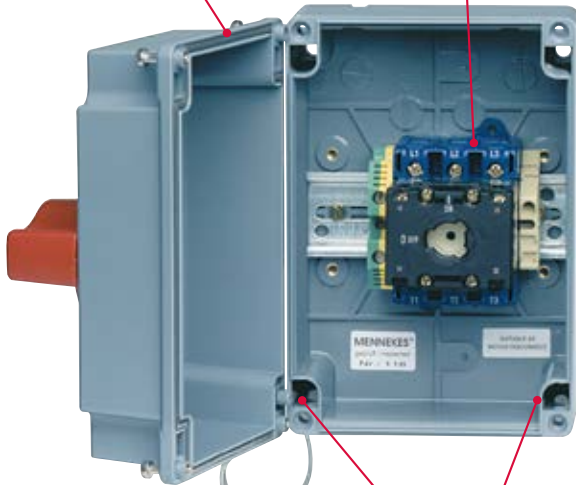
**MENNEKES® offers a full line of both Non-Metallic and Stainless Steel Disconnect Switches.**

Units range from 20 Amp - 200 Amp and are rated up to 150 HP @ 480 Vac. Several enclosure sizes and styles are available to maximize installation and design options.

Poured-in-place gasket never pulls out for a long lasting NEMA 4X seal.

HP rated disconnect switch with top profile auxiliary contacts for VFD Interface. DIN rail mounting facilitates installation and service requirements.

Impact modified enclosure is resistant to many chemicals and made with UL 94 V-O flame retardant materials.



Unit shown: ME 30MS1A-M2

Shown with optional cover retaining strap.

Mounting tubes minimize footprint; mounting feet are not required.

Captive stainless steel fixing screws.

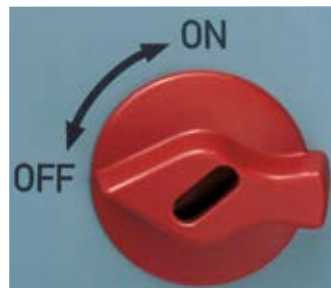
Rugged handle clearly indicates ON/OFF status & complies with OSHA LO/TO regulations.

### Hidden Hinge System



Available on MS2A enclosure.

### High Visibility Handle



Clean design does not "puddle" or hold particles.

### Model with Installed Control Switch



Disconnects with 3-position selector switch are factory stocked.



# Motor Disconnect Switches and Specialty Enclosures

HDI Series ■ Non-Fusible ■ 20 & 200 Amp; NEMA 4X; 12



Rated Current 600V max.	HP Ratings			Catalog No. (with aux. contacts)	With Installed 3 Position Selector Switch
	3Ø240V	3Ø480V	3Ø600V		
Standard Enclosure					
25A	3	5	5	ME 20MS1A-M2	ME 20MS4A-M2PSX
30A	7.5	15	15	ME 30MS1A-M2	-
30A	5	10	10	ME 32MS1A-M2	ME 30MS4A-M2PSX
40A	10	20	20	ME 40MS1A-M2	-
Large Enclosure					
25A	3	5	5	ME 20MS2A-M2	ME 20MS2A-M2PSX
30A	7.5	15	15	ME 30MS2A-M2	ME 30MS2A-M2PSX
40A	10	20	20	ME 40MS2A-M2	ME 40MS2A-M2PSX
80A	20	40	40	ME 80MS2A-M2	ME 80MS2A-M2PSX
100A	25	50	50	ME 100MS2A-M2	ME 100MS2A-M2PSX
125A	40	75	100	ME 125MS3A-M2	-
200A	75	150	200	ME 200MS6A-M2	-
6 Pole Disconnects					
30A	7.5		15	ME 306MS2A-M2	
60A	10		20	ME 606MS2A-M2	
80A	20		40	ME 806MS3A-M2	

Auxiliary Contacts - 10 A@ 600 Vac 1 N/O & 1 N/C

## Compliances and Performance:

- "Suitable as Motor Disconnect" per 2002 NEC Article 430-109(a)(6)
- UL Standard 508
- ULus to CSA 22.2 No. 14-M95
- Environmental: NEMA Type 4X; 12
- Flame Rating: UL 94-5VA and VO
- UV Stabilized Material
- SCCR - 65kA RMS Symmetrical when protected with equally sized Class J Fuse

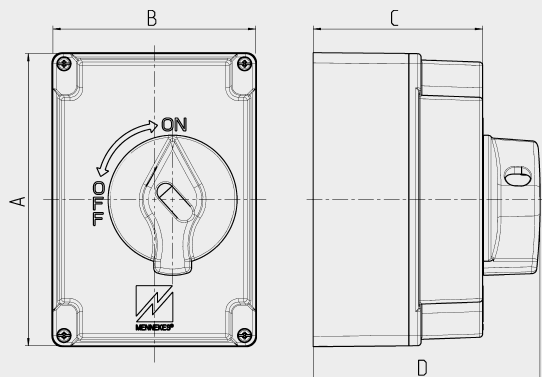
## Field mountable auxiliary contact

1 N/O & 1 N/C

For models with max. HP	Catalog No.
5 hp & 10 hp	ME 20AUX
15 hp & 20 hp	ME 30AUX
40 hp & 50 hp	ME 80AUX
100 hp	ME 125AUX

## Replacement Switches

Ratings	Catalog No.
5 hp	ME 20XMS1-M2
10 hp	ME 32XMS1-M2
15 hp	ME 30XMS1-M2
20 hp	ME 40XMS2-M2
40 hp	ME 80XMS2-M2
50 hp	ME 100XMS2-M2
75 hp	ME 125XMS3-M2



## Approximate Dimensions (in inches)

	MS1A/MS4A	MS2A
A	6.69	10.31
B	4.63	6.56
C	3.81	5.03
D	5.23	6.25

For other enclosure sizes consult factory

# Motor Disconnect Switches and Specialty Enclosures

FDS Non-Metallic Series ■ Fusible ■ 30, 60 & 100 Amp; NEMA 4X; 12



Ampere Rating (general purpose)	UL Fuse Type (not provided)	3 Ø HP RATINGS						Catalog No. +
		Standard			Maximum *			
		3Ø240V	3Ø480V	3Ø600V	208/240V	480V	600V	
30A	J & CC+	3	5	7.5	7.5	15	20	<b>ME 30FDS2A</b>
60A	J				15	30	50	<b>ME 60FDS3A</b>
100A	J				30	60	75	<b>ME 100FDS3A</b>

+ Use CAT. NO. ME 30FDS2A-CC if CC fuse holder is required. Consult factory for delivery.

\* Requires fuses with time-delay characteristics if starting current of motor is more than the standard horsepower rating.

## Compliances and Performance:

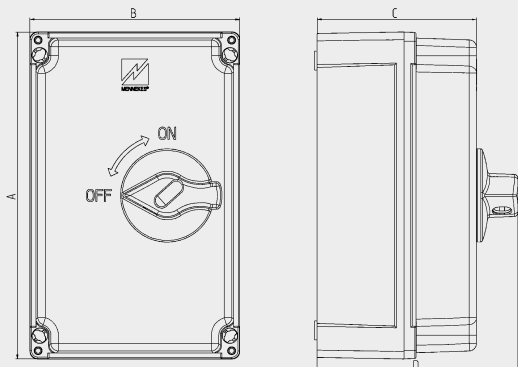
- Standard 98
- to CSA 22.2 No. 4-M89, Enclosure Switch
- Environmental: NEMA Type 4X; 12
- Flame Rating: UL 94-5VA and VO
- Continuous Operating Temperature -40°C to +60°C
- UV Resistance: Enclosure and Handle Materials are UV Stabilized
- UL Endurance Test: 6,000 Electrical Cycles / 10,000 Mechanical Cycles
- UL Minimum Short Circuit Rating: 100,000 RMS Symmetrical Amperes with Type J Fuses

## Auxiliary Contacts

Amp	Type	Catalog No.
30	1 N/O or 1 N/C	<b>ME 30FDAUX</b>
60	1 N/O and 1 N/C	<b>ME 60FDAUX</b>
100	1 N/O and 1 N/C	<b>ME 100FDAUX</b>

## Replacement Switches

Description	Catalog No.
30 Amp	<b>ME 30XFDSJ</b>
60 Amp	<b>ME 60XFDSJ</b>
100 Amp	<b>ME 100XFDSJ</b>



## Approximate Dimensions (in inches)

	30 Amp	60 Amp	100 Amp
A	10.31	14.50	14.50
B	6.56	12.25	12.25
C	5.03	7.69	7.69
D	6.25	9.63	9.63

# Motor Disconnect Switches and Specialty Enclosures

SPEC Grade Stainless Steel Series ■ Non-Fusible ■ 25, 30, 40, 60 & 100 Amp; NEMA 4X; 12



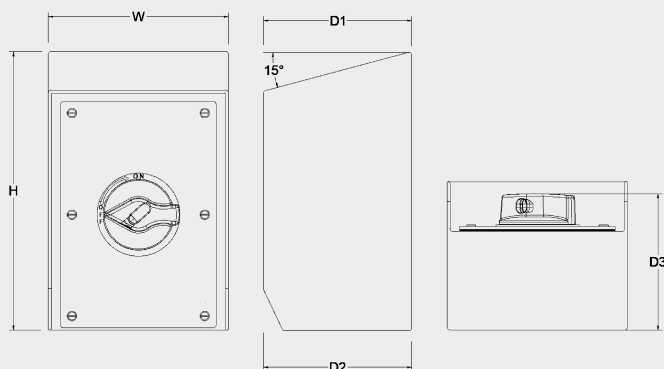
Ampere Rating (General Purpose)	HP Ratings				Catalog No. (with aux. contacts)	Replacement Switch Block
	240V		480/600V			
	1Ø	3Ø	1Ø	3Ø		
Switch Block is Mounted to Cover.						
30A	2.5	5	5	10	<b>ME 30SLP1A-M2</b>	<b>ME 30XST1-M2</b>
30A	2.5	5	5	10	<b>ME 30SLP1A-M2V2</b>	<b>ME 30XST1-M2</b>
Switch Block is Mounted to DIN Rail.						
25A	1.5	3	3	5	<b>ME 20SLP2A-M2</b>	<b>ME 20XLP2-M2</b>
30A	2.5	5	5	10	<b>ME 30SLP2A-M2</b>	<b>ME 30XSLP-M2</b>
40A	3	7.5	7.5	15	<b>ME 40SLP2A-M2</b>	<b>ME 40XSLP-M2</b>
60A	3	10	10	20	<b>ME 60SLP2A-M2</b>	<b>ME 60XSLP-M2</b>
100A	15	25	30	50	<b>ME 100SLP3A-M2</b>	<b>ME 100XSLP-M2</b>
100A	20	40	30	75	<b>ME 100SLP4A-M2</b>	<b>ME 125XMS3-M2</b>
6 Pole Disconnects.						
30A	2.5	5	5	10	<b>ME 306SLP2A-M2</b>	
30A	2.5	5	5	10	<b>ME 306SLP3A-M2</b>	

Auxiliary Contacts - 10 A @ 600 Vac 1 N/O & 1 N/C

Optional Mounting Accessory: Stainless Steel Plate with 3/4" Stands-Offs, see page 74.

## Compliances and Performance:

- "Suitable as Motor Disconnect" per 2002 NEC Article 430-109(a)(6)
- Standard 508
- to CSA 22.2 No. 14-M95
- Environmental: NEMA Type 4X; 12
- UV Resistance: Handle Material is UV Stabilized
- In-House Endurance Testing: 10,000 Electrical Cycles / 100,000 Mechanical Cycles
- SCCR - 65kA RMS Symmetrical when protected with equally sized Class J Fuse
- Suitable as a Motor Disconnect per 2002 NEC Article 430-109(a)(6)



Approximate Dimensions (in inches)				
	Switch Block is Mounted to Cover	Switch Block is Mounted to DIN Rail		
	SLP1A	SLP2A	SLP3A	SLP4A
D1	4.50	6.20	6.20	7.10
D2	3.70	6.20	6.20	6.30
D3	5.20	6.20	6.20	7.80
H	5.70	8.90	11.70	14.70
W	4.70	6.80	7.50	13.20

# Motor Disconnect Switches and Specialty Enclosures


ST Stainless Steel Series ■ Non-Fusible ■ 20, 30, 60 & 100 Amp; NEMA 4X; 12



Ampere Rating (General Purpose)	HP Ratings				Catalog No. (with aux. contacts)	Replacement Switch Block (includes handle)
	240V		480/600V			
	1Ø	3Ø	1Ø	3Ø		
Standard Enclosure (ST1A) - Switch is mounted to hinged door.						
30A	2.5	5	5	10	<b>ME 30ST1A-M2</b>	<b>ME 30XST1-M2</b>
Large Enclosure (ST2A) - Switch block is mounted to DIN Rail. Interlocked hinged door.						
25A	1.5	3	3	5	<b>ME 20ST2A-M2</b>	<b>ME 20XST2-M2</b>
30A	3	7.5	7.5	15	<b>ME 30ST2A-M2</b>	<b>ME 30XST2-M2</b>
60A	5	10	10	20	<b>ME 60ST2A-M2</b>	<b>ME 60XST2-M2</b>
X-Large Enclosure (ST3A) - Switch block is mounted to DIN Rail. Interlocked hinged door.						
100A	15	25	30	50	<b>ME 100ST3A-M2</b>	<b>ME 100XST3-M2</b>
6 Pole Disconnects.						
30A	2.5	5	5	10	<b>ME 306ST2A-M2</b>	
6 Pole Double Throw Disconnects.						
30A	2.5	5	5	10	<b>ME 306ST3A-M4AB</b>	
60A	5	10	10	20	<b>ME 606ST3A-M4AB</b>	

Auxiliary Contacts - 10A @ 600 Vac 1 N/O & 1 N/C  
Consult factory for units rated greater than 100A and 50 hp max.

## Compliances and Performance:

-  Standard 508
- Environmental: NEMA Type 4X; 12
- UV Resistance: Handle Material is UV Stabilized
- In-House Endurance Testing: 10,000 Electrical Cycles / 100,000 Mechanical Cycles
- SCCR - 65kA RMS Symmetrical when protected with equally sized Class J Fuse

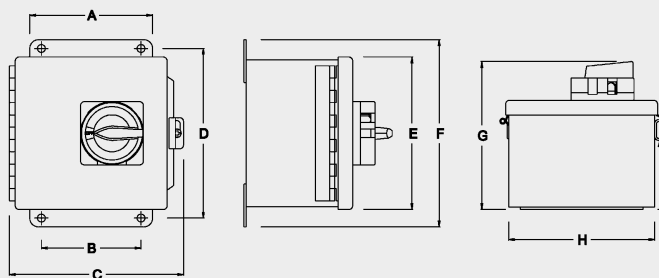
## Field mountable auxiliary contact blocks

10A @ 600 VAC 1 N/O & 1 N/C

For models with max. HP	Catalog No.
5 hp	<b>ME 20AUX</b>
10 hp	<b>ME 30FSAUX</b>
15 hp & 20 hp	<b>ME 30AUX</b>
50 hp	<b>ME 80AUX</b>

## Replacement handles

Description	Catalog No.
ST1A Model	<b>ME ST1A-RH</b>
ST2A/ST3A Models	<b>ME ST2A-RH</b>



## Approximate Dimensions (in inches)

	ST1A	ST2A	ST3A
A	3.00	5.00	7.00
B	2.00	4.00	6.00
C	4.94	6.94	8.94
D	6.75	6.75	10.75
E	6.00	6.00	10.00
F	7.50	7.50	11.50
G	5.95	5.95	5.95
H	4.00	6.00	8.00
I	4.35	4.35	4.35

# Motor Disconnect Switches and Specialty Enclosures

STF Stainless Steel Series ■ Fusible ■ 30 & 60 Amp; NEMA 4X; 12



Ampere Rating (General Purpose)	UL Fuse Type (not provided)	3 Ø HP RATINGS						Catalog No.
		Standard			Maximum*			
		240V	480V	600V	208/240V	480V	600V	
30A	J & CC+	3	5	7.5	7.5	15	20	<b>ME 30STF1A</b>
60A	J	7.5	15	15	15	30	50	<b>ME 60STF1A</b>

\* Use Cat. No. ME 30STF1A-CC if CC fuse holder is required.

\* Requires fuses with time-delay characteristics if starting current of motor is more than the standard horsepower.

## Compliances and Performance:

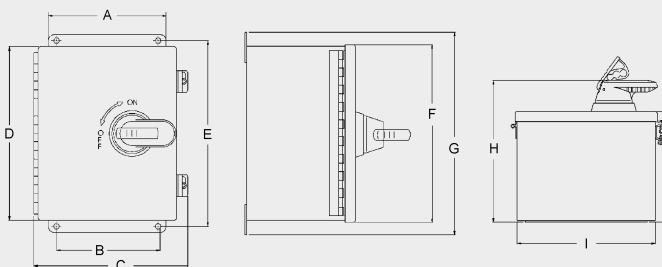
- Standard 98. Suitable as Branch Circuit Protective Device per NEC Article 430-109(a)(6)
- Environmental: NEMA Type 4X; 12
- Continuous Operating Temperature -40°C to +60°C
- UV Resistance: Handle Material is UV Stabilized
- UL Endurance Test: 6,000 Electrical Cycles / 10,000 Mechanical Cycles
- UL Minimum Short Circuit Rating: 100,000 RMS Symmetrical Amperes with Type J Fuses

## Auxiliary Contacts

Amp	Type	Catalog No.
30	1 N/O or 1 N/C	<b>ME 30FDAUX</b>
60	1 N/O and 1 N/C	<b>ME 60FDAUX</b>

## Replacement handles

Amp	Catalog No.
ST1A Model	<b>ME STF-RH</b>
ST2A/ST3A Models	<b>ME STF-RH</b>



## Approximate Dimensions (in inches)

	Standard Enclosure
A	6.44
B	6.00
C	9.13
D	10.00
E	10.75
F	10.31
G	11.50
H	8.15
I	8.00
K	6.38




# Motor Disconnect Switches and Specialty Enclosures

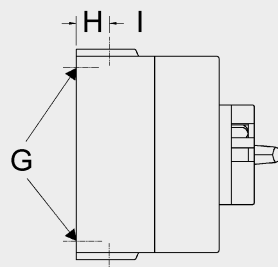
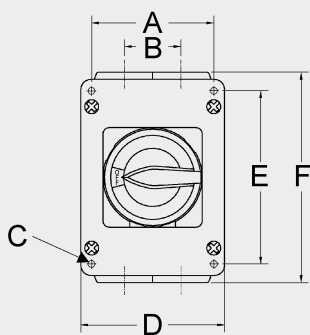
MS Series ■ Non-Fusible ■ 20, 30 & 40 Amp



Amp	HP Ratings		Catalog No. (with aux. contacts)	Catalog No. (without aux. con- tacts)
	3Ø240V	3Ø480/600V		
25	3	5	<b>ME 20MS-M2</b>	<b>ME 20MS</b>
30	7.5	15	<b>ME 30MS-M2</b>	<b>ME 30MS</b>
60	10	20	<b>ME 40MS-M2</b>	<b>ME 40MS</b>

## Compliances and Performance:

- Suitable as Motor Disconnect per 1999 NEC Article 430-109(a)(6)
- Switch:  Standard 508
- Padlockable handle complies with OSHA LO/TO regulations



## Approximate Dimensions (in inches)

	Standard Enclosure
A	3.07
B	1.42
C	Ø 3/16 MTG. HOLES (4)
D	3.62
E	4.33
F	5.31
G	MTG. HOLES (4)
H	0.83
I	3/4" NPT Entry (4)

# Motor Disconnect Switches and Specialty Enclosures


FS Series ■ Non-Fusible ■ 30 Amp

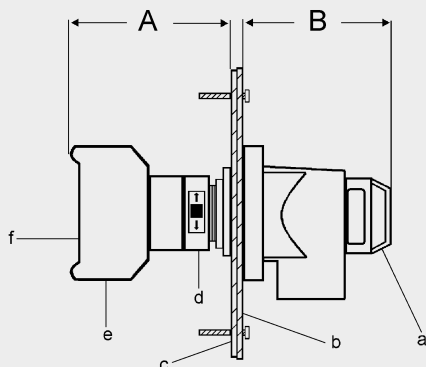


Amp	HP Ratings						Catalog No.			
	120V		240V		480/600V		With FS Plate*		Handle and Switch only	
	1Ø	3Ø	1Ø	3Ø	1Ø	3Ø	With aux. contacts	No aux. contacts	With aux. contacts	No aux. contacts
30	1	2	2.5	5	5	10	ME 30FSP-M2	ME 30FSP	ME 30FS-M2	ME 30FS

Shown with Weatherproof FS Plate.

## Compliances and Performance:

- Suitable as Motor Disconnect per 1999 NEC Article 430-109(a)(6)
- Switch:  Standard 508
- Padlockable handle complies with OSHA LO/TO regulations



## Approximate Dimensions (in inches)

	Dimensions	Description
A	2.45	a - padlockable handle
B	1.75	b - FS plate pre-drilled with installed handle
		c - gasket
		d - lock/release mechanism to attach switch body to plate and handle

# Motor Disconnect Switches and Specialty Enclosures

SPEC Grade Stainless Steel Series ■ Pushbutton Enclosures, Junction Boxes ■ NEMA 4X; 12

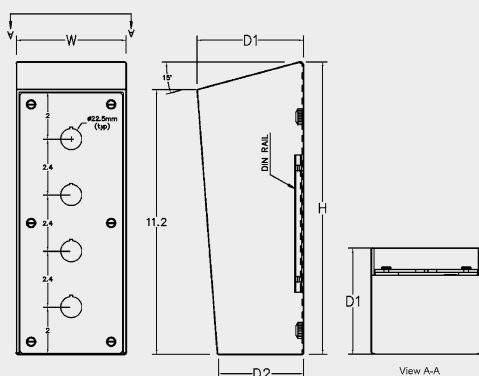


Number of Holes	Hole Size (mm)	Catalog No.
1	22.5	SLPB1A
1	30.5	SLPB1A-30.5
2	22.5	SLPB2A
2	30.5	SLPB2A-30.5
3	22.5	SLPB3A
3	30.5	SLPB3A-30.5
4	22.5	SLPB4A
4	30.5	SLPB4A-30.5

## Compliances and Performance:

- cUL<sub>US</sub> Listed to UL 50/50E - CSA 22.2 No. 94
- Type 4X, 12, 3R and IP 66

Optional Mounting Accessory: Stainless Steel Plate with 3/4" Stands-Offs, see page 74.



## Approximate Dimensions (in inches)

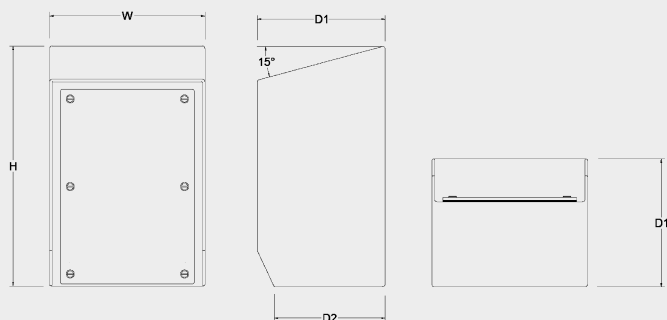
	Catalog No.			
	SLPB1A	SLPB2A	SLPB3A	SLPB4A
D1	4.50	4.50	4.50	4.50
D2	3.70	3.70	3.70	3.70
H	5.70	7.60	10.00	12.30
W	4.70	4.70	4.70	4.70
#PB HOLES	1	2	3	4



Size	Catalog No.
Small	SLP1A-BLK
Medium	SLP2AV2-BLK
Large	SLP3A-BLK
Horizontal	SLPMI-BLK

## Compliances and Performance:

- cUL<sub>US</sub> Listed to UL 50/50E - CSA 22.2 No. 94
- Type 4X, 12, 3R and IP 66



## Approximate Dimensions (in inches)

	Catalog No.			
	SLP1A-BLK	SLP2AV2-BLK	SLP3A-BLK	SLPMI-BLK
D1	4.50	5.30	6.20	6.50
D2	3.70	4.50	5.40	5.70
H	5.70	8.00	11.70	10.60
W	4.70	6.50	7.50	10.90

# UL 1686 Configured Switched Receptacles and Plugs

Product information

Safer.  
Easier.  
Better.



# UL 1686 Configured Switched Receptacles and Plugs

## Product information

### MENNEKES® MSR Series Interlocked Receptacles.

Generous wiring space facilitates field installation.

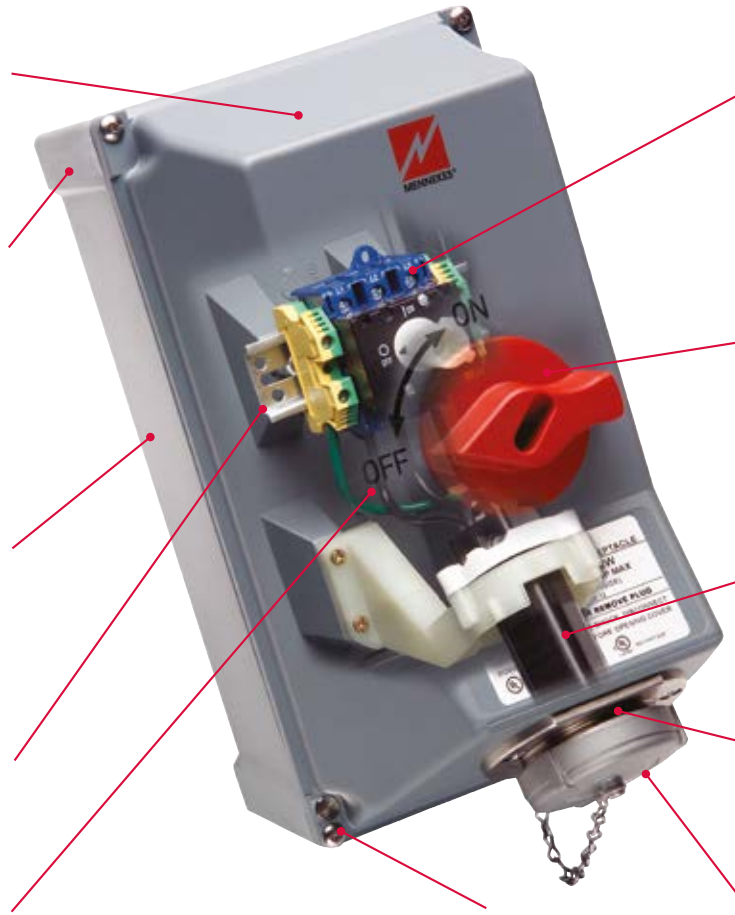
Corner mounting tubes minimize mounting footprint. Moveable mounting feet also provided.



Impact modified NEMA 4X Valox enclosure resistant to harsh environments. Features poured-in-place gasket for the ultimate seal.

DIN rail and screw mounting of components allow for ease of maintenance.

Factory wired, switch to receptacle.



Heavy-duty HP rated switch provides convenient access to field wiring terminals.

High visibility, pad-lockable handle actuates switch and receptacle interlock mechanism to assure "no-load" make and break of plug connected equipment.

Thermoset receptacle to UL 1686 C1 configurations; UL Classified for combination use with competing brand plugs.

Threaded stainless steel ring provides NEMA 4X rating with locking plugs.

Dust tight and watertight rated cover; field replaceable.



Hidden hinge system eliminates sanitation concerns.

## Features and benefits

- **Factory Wired - Single Unit Construction** - Receptacle is pre-wired to the switch for quick installation. Mount with moveable mounting feet to allow for irregular surfaces or utilize the internal mounting tubes when mounting area is limited.
- **Switch** - Available non-fusible and fusible. Self-cleaning contacts are driven by solid bridge bar to prevent single phasing of motors. Quick-Make/Quick-Break action provides long electrical life. Positive opening operation protects personnel from welded contacts.
- **NEMA 4X;12 Enclosure** - Uses poured-in seamless gasket and stainless fixing screws for the ultimate seal. Impact modified Valox enclosure is resistant to harsh environments. Hidden Hinge System eliminates sanitation concerns.
- **Padlockable Handle** - Rugged high visibility design to comply with OSHA LO/TO requirements. (Reg. 1910.147).
- **Auxiliary Contacts** - Full range available in N/O and N/C style.



# UL 1686 Configured Switched Receptacles and Plugs

MSR Series ■ Fusible ■ 30 & 60 Amp



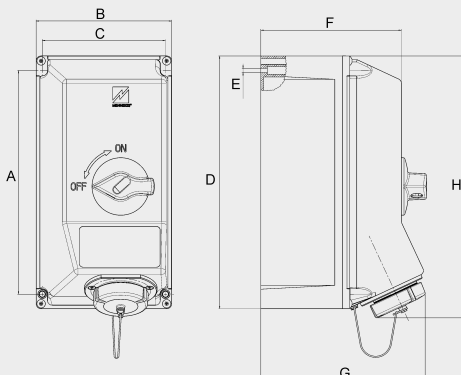
Amp	Configuration	Voltage	Single Phase (Volts)		Three Phase (Volts) HP Ratings				Catalog No.	Mating Plug Catalog No.
			120	240	208	240	480	600		
30	4 Pole, 3 Wire	600	2	3	7.5	7.5	15	20	<b>MSR 430MIFS2W</b>	<b>ME 3034NM</b>
60	4 Pole, 3 Wire	600	-	7.5	15	15	30	50	<b>MSR 460MIFS2W</b>	<b>ME 6034NM</b>

### Ratings:

- Receptacles 30A & 60A, 600 VAC in 3 Wire, 4 Pole
- Grounding: Style 2
- Switch: Fusible w/Type J Fuse Clips
- Short Circuit: 100kAIC w/Fuses

### Compliances and Features:

- Standards 98; 1682 & 1686 C1 Pin and Sleeve Style
- to CSA Standard C22.2 No. 4-M89, Enclosed Switches
- Environmental: NEMA Type 4X, 12
- Enclosure Material: Valox with Nylon Handle
- Hardware: Stainless Steel and Ni plated Brass
- Insulator: Thermoset Polyester
- Contacts: Brass with Beryllium Copper Spring
- Gasket: Fermapor Polyurethane & NBR
- Receptacle Cover: Cu free Aluminium with Epoxy Power Coat
- UV Stabilized Enclosure and Gasket Materials



### Approximate Dimensions (in inches)

	30A	60A
A	11.50	11.50
B	7.00	7.00
C	6.34	6.34
D	13.00	13.00
E	.20	.20
F	7.23	7.23
G	8.45	8.93
H	13.46	14.45

# UL 1686 Configured Switched Receptacles and Plugs

MSR Series ■ Non-Fusible ■ 30 & 60 Amp



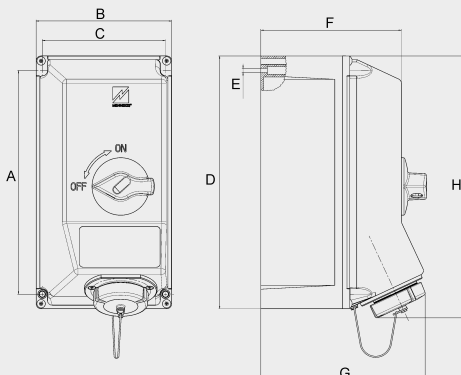
Amp	Configuration	Voltage	Single Phase (Volts)		Three Phase (Volts) HP Ratings				Catalog No.	Mating Plug Catalog No.
			120	240	208	240	480	600		
30	4 Pole, 3 Wire	600	2	5	10	10	20	20	<b>MSR 430MIS2W</b>	<b>ME 3034NM</b>
60	4 Pole, 3 Wire	600	3	10	20	20	40	50	<b>MSR 460MIS2W</b>	<b>ME 6034NM</b>

## Ratings:

- Receptacles 30A & 60A, 600 VAC in 3 Wire, 4 Pole
- Grounding: Style 2
- Switch: Heavy Duty, 600VAC Capable
- SCCR - 65kA RMS Symmetrical when protected with equally sized Class J Fuse

## Compliances and Features:

- Standards 508; 1682 & 1686 C1 Pin and Sleeve Style
- to CSA Standard C22.2 No. 14-M95
- Environmental: NEMA Type 4X, 12
- Enclosure Material: Valox with Nylon Handle
- Hardware: Stainless Steel and Ni plated Brass
- Insulator: Thermoset Polyester
- Contacts: Brass with Beryllium Copper Spring
- Gasket: Fermapor Polyurethane & NBR
- Receptacle Cover: Cu free Aluminium with Epoxy Power Coat
- UV Stabilized Enclosure and Gasket Materials



## Approximate Dimensions (in inches)

	30A	60A
A	11.50	11.50
B	7.00	7.00
C	6.34	6.34
D	13.00	13.00
E	.20	.20
F	7.23	7.23
G	8.45	8.93
H	13.46	14.45

# UL 1686 Configured Switched Receptacles and Plugs

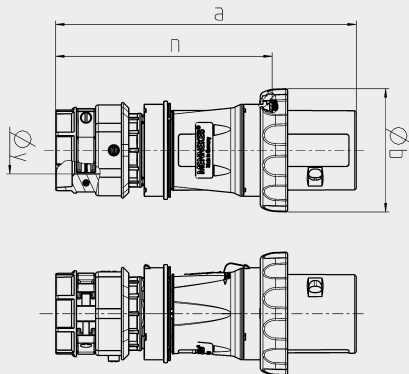
AM-Tite Series ■ Non-Metallic ■ 30 & 60 Amp



Ratings	Catalog No.
30A 3W 4P 600 VAC	<b>ME 3034NM</b>
60A 3W 4P 600 VAC	<b>ME 6034NM</b>

## Compliances and Features:

- Listed to 1682; 1686
- Environmental: Type 4X; 12
- Configuration: 30A & 60A 3W 4P Style 2 Ground (C1)
- Housing Material: Impact Modified PBT Polyester
- Hardware: Stainless Steel or Ni Plated
- Outdoor Use: UV Stabilized Enclosure and Gasket Materials



Approximate Dimensions (in inches)		
	30 Amp	60 Amp
A	7.362	9.646
B	2.481	3.937
N	5.709	6.850
Y		
Cord Diameter	0.45 - 1.12	0.50 - 1.45



### Strain Relief

Assembly accommodates wide cable range which easily threads into NPT enclosure.

### Rugged Housing

Offers outstanding insulation for user safety. Innovative design and engineered materials provide a durable alternative to traditional metal products.

### Coarse Rugged Threading

Facilitates quick assembly and eliminates threading issues associated with metal enclosures.

### Sure-grip Rubberized Locking Ring

Provides high impact protection and NEMA 4X Rating.

# Accessories and Replacement Parts



## Back Box ordering information

Description	Metallic Catalog No.	NPT HUB	Angle	Non-Metallic Catalog No.	NPT HUB*	Angle
20/30A Inlet & Receptacle	<b>2030BBW</b>	1"	30°	<b>2030BBW-P</b>	1"	15°
60A Receptacle	<b>60BBW-1</b>	1 1/4"	15°	<b>60BBW-P</b>	1 1/4"	15°
60A Inlet	<b>60BBW</b>	2"+	15°	<b>60BBW-P/L</b>	1 1/2"	15°
100A Inlet & Receptacle	<b>100BBW</b>	2"+	15°	<b>100BBW-P/L</b>	2"	15°

\* HUB not included, Rough-in hole provided.

\* Provided with 1 1/2" reducer.



## Protective Cap ordering information

Amp	# of wires	Dimensions (in Inches)	Catalog No.
20	3	2.76 x 1.61	<b>ME 320CAP</b>
20	4	3.11 x 1.61	<b>ME 420CAP</b>
20	5	3.39 x 1.65	<b>ME 520CAP</b>
30	3,4	3.58 x 2.01	<b>ME 3430CAP</b>
30	5	3.90 x 2.05	<b>ME 530CAP</b>
60	3, 4, 5	4.25 x 2.87	<b>ME 60CAP</b>
100	3, 4, 5	4.69 x 3.11	<b>ME 100CAP</b>



## Adapter plate

Amp	Wire	Dimensions (in Inches)	Catalog No.
20	3, 4, 5	3.75 x 3.75 x 0.40	<b>ME 19821</b>
30	3, 4, 5	3.75 x 3.75 x 0.40	<b>ME 19821</b>

For use with Receptacles and Inlets for Industry Standard Back Box Mounting Footprint.

# Accessories and Replacement Parts



## Plug guard

Lockout / Tagout device for use on any IEC 60309-2 Pin & Sleeve Plug or Inlet.

Catalog No. **ME PG1**

### Replacement Switches for HDI Motor Disconnect Switches

For Models with max. HP	Catalog No.
5 hp	<b>ME 20XMS1-M2</b>
10 hp	<b>ME 32XMS1-M2</b>
15 hp	<b>ME 30XMS1-M2</b>
20 hp	<b>ME 40XMS2-M2</b>
40 hp	<b>ME 80XMS2-M2</b>
50 hp	<b>ME 100XMS2-M2</b>

### Replacement Covers for Motor Disconnect Switches

Enclosure Type	Catalog No.
MS1A	<b>ME MS1-RC</b>
MS4A	<b>ME MS4-RC</b>
MS2A	<b>ME MS2-RC</b>
MS5A	<b>ME MS5-RC</b>

### Field mountable Auxiliary Contact Blocks 1 N/O & 1 N/C for Motor Disconnect Switches

For Models with max. HP	Catalog No.
5 hp & 10 hp	<b>ME 20AUX</b>
15 hp & 20 hp	<b>ME 30AUX</b>
40 hp & 50 hp	<b>ME 80AUX</b>

### Field installable Hinge Kits for Motor Disconnect Switches

Enclosure Type	Catalog No.
MS1A; MS4A	<b>ME 106061</b>
MS2A; MS5A	<b>ME 19307000</b>

### Mounting Feet Kits for Motor Disconnect Switches

Enclosure Type	Catalog No.
MS1A; MS4A	<b>ME 236MIMF</b>
MS2A; MS5A	<b>ME MS2MF</b>

### Stainless Steel Mounting Plates with Stand-Offs for SPEC Grade Series

(Provided with Stainless Steel 3/4" Stand-Offs and Enclosure Mounting Screws)

For Models	Catalog No.
ME 30SLP1A-M2; SLPB1A; SLPB1A-30.5	<b>PB1-MP-KIT</b>
ME 30SLP1A-M2V2; SLPB2A; SLPB2A-30.5	<b>SLP1AV2-MP-KIT</b>
ME 20SLP2A-M2; ME 30SLP2A-M2; ME 40SLP2A-M2; ME 60SLP2A-M2	<b>SLP2A-MP-KIT</b>
ME 30SLP2A-M2V2; ME 40SLP2A-M2V2	<b>SLP2AV2-MP-KIT</b>
ME 100SLP3A-M2	<b>SLP3A-MP-KIT</b>
ALL SLPMI PART NOS. AND SPX1A ASSEMBLIES	<b>SLPMI-MP-KIT</b>



# Service

Proven Quality



Endurance Test

When a MENNEKES product leaves our factory, it has already withstood the harshest testing. In our test lab it is exposed to cold, heat, dust and water over and over again. Only the products that withstand these tests are worthy of the name MENNEKES.

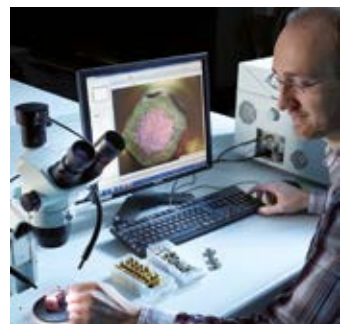
As a specialist for plug and receptacle devices, we have our own approved test lab where our products are tested again and again until we are convinced that they can permanently withstand the harshest environments.

Our products are certified to national and international standards by renowned institutions. Our international quality management system is certified to DIN EN ISO 9001.

The combination of first-class raw materials and advanced manufacturing processes guarantees a premium product. This is why we use only first-grade resins, which are processed by a highly skilled workforce in state-of-the-art production facilities to create certified MENNEKES products.



We guarantee the high quality standard of our products by our own test laboratory. This laboratory is approved and will be used for product tests of our products to get test marks acc. to IEC 60309 by approval authorities like the VDE etc.



# Service

## Industry Applications

The right combination for each application.





# Service

## Industry Applications



Welding & Automotive



Pharmaceutical & Clean Rooms



Energy



Food Processing & Conveyors



Construction Sites



Outdoor Festivals & Amusements



Wineries & Breweries



Agriculture & Farming

Catalog No.	Page	Catalog No.	Page	Catalog No.	Page	Catalog No.	Page
100BBW	73	ME 100FDS3A	61	ME 3100P6W	21	ME 40MS1A-M2	60
100BBW-P/L	73	ME 100MIX	54	ME 3100P7W	21	ME 40MS2A-M2	60
2030BBW	73	ME 100MS2A-M2	60	ME 3100R4W	15	ME 40MS2A-M2PSX	60
2030BBW-P	73	ME 100MS2A-M2PSX	60	ME 3100R4W-L	15	ME 40MS-M2	65
60BBW	73	ME 100ST3A-M2	63	ME 3100R6W	15	ME 40SLP2A-M2	62
60BBW-1	73	ME 100XFDSJ	61	ME 3100R6W-L	15	ME 40XMS1-M2	60
60BBW-P	73	ME 100XMS2-M2	60	ME 3100R7W	15	ME 40XMS2-M2	74
60BBW-P/L	73	ME 100XMS2-M2	74	ME 3100R7W-L	15	ME 40XSLP-M2	62
AMX-15696	48	ME 125XMS3-M2	62	ME 320B4W	16	ME 4100B12R	26
AMX1A-910380	32	ME 100XST3-M2	63	ME 320B6W	16	ME 4100B12R-L	26
AMX1A-910381	32	ME 106061	74	ME 320B7W	16	ME 4100B12W	19
AMX1A-910383	33	ME 125AUX	60	ME 320C4W	22	ME 4100B12W-L	19
AMX1A-910384	32	ME 125MS3A-M2	60	ME 320C6W	22	ME 4100B5W	19
AMX1A-910385	32	ME 125XMS3-M2	60	ME 320C7W	22	ME 4100B5W-L	19
AMX1A-910386	33	ME 19307000	74	ME 320CAP	73	ME 4100B6W-L	19
AMX1A-919003	33	ME 19821	73	ME 320HMI4	56	ME 4100B7W	19
AMX1A-919011	33	ME 200MS6A-M2	60	ME 320HMI6	56	ME 4100B7W-L	19
AMX2A-360MI6	34	ME 20AUX	60, 63, 74	ME 320HMI7	56	ME 4100B9W	19
AMX2A-360MI6DPLX	34	ME 20MIX	52	ME 320P4W	20	ME 4100B9W-L	19
AMX2A-360MI6GFI	34	ME 20MS	65	ME 320P6W	20	ME 4100C 12M	27
AMX2A-360MI6GFIU	34	ME 20MS1A-M2	60	ME 320P7W	20	ME 4100C 12R	26
AMX2A-460MI7	36	ME 20MS2A-M2	60	ME 320R4W	12	ME 4100C 12W	23
AMX2A-460MI7DPLX	36	ME 20MS2A-M2PSX	60	ME 320R4W-L	12	ME 4100C5W	23
AMX2A-460MI7GFIU	36	ME 20MS4A-M2PSX	60	ME 320R6W	12	ME 4100C6W	23
AMX2A-460MI9	35	ME 20MS-M2	65	ME 320R6W-L	12	ME 4100C6W	25
AMX2A-460MI9DPLX	35	ME 20SLP2A-M2	62	ME 320R7W	12	ME 4100C7W	23
AMX2A-460MI9GFI	35	ME 20ST2A-M2	63	ME 320R7W-L	12	ME 4100C9W	23
AMX2A-460MI9GFIU	35	ME 20XLP2-M2	62	ME 320SLPMI4	57	ME 4100MI12	54
AMX2A-921399	38	ME 20XMS1-M2	60, 74	ME 320SLPMI6	57	ME 4100MI5	54
AMX2A-921499	37	ME 20XST2-M2	63	ME 32MS1A-M2	60	ME 4100MI7	54
AMX2A-922087	37	ME 236MIMF	74	ME 32XMS1-M2	60, 74	ME 4100MI9	54
AMX2A-922088	38	ME 3034NM	72	ME 330B4W	17	ME 4100P12M	27
AMX2A-929021	36	ME 306SLP2A-M2	62	ME 330B6W	17	ME 4100P12W	21
AMX2A-929045	37	ME 306SLP3A-M2	62	ME 330B7W	17	ME 4100P5W	21
AMX2A-929067	37	ME 30AUX	52, 60, 63, 74	ME 330C4W	22	ME 4100P6W	20
AMX2A-929082	38	ME 30FDAUX	53, 61, 64	ME 330C6W	22	ME 4100P6W-62340C	25
AMX2A-929083	38	ME 30FDS2A	61	ME 330C7W	22	ME 4100P7W	21
AMX2A-929084	39	ME 30FS	66	ME 330MI4	52	ME 4100P9W	21
AMX2A-929085	39	ME 30FSAUX	63	ME 330MI6	52	ME 4100R12M	27
AMX3A-932238	40	ME 30FS-M2	66	ME 330MI7	52	ME 4100R12M-L	27
AMX3A-932239	39	ME 30FSP	66	ME 330MIF6	53	ME 4100R12W	15
AMX3A-932976	40	ME 30FSP-M2	66	ME 330P4W	20	ME 4100R12W-L	15
AMX3A-933222	41	ME 30MIFX	53	ME 330P6W	20	ME 4100R5W	15
AMX3A-933224	41	ME 30MIX	52	ME 330P7W	20	ME 4100R5W-L	15
AMX3A-939003	39	ME 30MS	65	ME 330R4W	13	ME 4100R6W-L	15
AMX3A-939060	40	ME 30MS1A-M2	60	ME 330R4W-L	13	ME 4100R6W-L	25
AMX3A-939061	40	ME 30MS2A-M2	60	ME 330R6W	13	ME 4100R7W	15
AMX3A-939064	41	ME 30MS2A-M2PSX	60	ME 330R6W-L	13	ME 4100R7W-L	15
AMX3A-939065	41	ME 30MS4A-M2PSX	60	ME 330R7W	13	ME 4100R9W	15
AMX3A-939223	42	ME 30MS-M2	65	ME 330R7W-L	13	ME 4100R9W-L	15
AMX3A-939225	42	ME 30SLP1A-M2	62	ME 330SLPMI4	57	ME 420B12W	16
AMX4A-942988	43	ME 30SLP1A-M2V2	62	ME 330SLPMI6	57	ME 420B5W	16
AMX4A-942998	42	ME 30SLP2A-M2	62	ME 3430CAP	73	ME 420B6W	16
AMX4A-943007	43	ME 30ST1A-M2	63	ME 360B4W	18	ME 420B7W	16
AMX4A-943008	42	ME 30ST2A-M2	63	ME 360B4W-L	18	ME 420B9W	16
AMX4A-943233	44	ME 30STF1A	64	ME 360B6W	18	ME 420C 12W	22
AMX4A-943234	45	ME 30XFDSJ	61	ME 360B6W-L	18	ME 420C5W	22
AMX4A-943235	44	ME 30XMS1-M2	60, 74	ME 360B7W	18	ME 420C6W	22
AMX4A-943236	45	ME 30XST1-M2	63, 62	ME 360B7W-L	18	ME 420C7W	22
AMX4A-949032	43	ME 30XSLP-M2	62	ME 360C4W	23	ME 420C9W	22
AMX4A-949034	43	ME 30XST2-M2	63	ME 360C6W	23	ME 420CAP	73
AMX4A-949035	44	ME 30XSTF	64	ME 360C7W	23	ME 420HMI12	56
AMX4A-949036	44	ME 3100B4W	19	ME 360MI6	52	ME 420HMI5	56
AMX5A-951176	46	ME 3100B4W-L	19	ME 360MI7	52	ME 420HMI7	56
AMX5A-951178	45	ME 3100B6W	19	ME 360MIF6	53	ME 420HMI9	56
AMX5A-951183	46	ME 3100B6W-L	19	ME 360P4W	21	ME 420MI12	52
AMX5A-951184	45	ME 3100B7W	19	ME 360P6W	21	ME 420MI5	52
AMX5A-951484	47	ME 3100B7W-L	19	ME 360P7W	21	ME 420MI7	52
AMX5A-959061	47	ME 3100C4W	23	ME 360R4W	14	ME 420MI9	52
AMX5A-959063	47	ME 3100C6W	23	ME 360R4W-L	14	ME 420MICB7-10	55
AMX5A-959064	47	ME 3100C7W	23	ME 360R6W	14	ME 420MICB9-6	55
AMX5A-959083	46	ME 3100MI4	54	ME 360R6W-L	14	ME 420MIF7-W	55
AMX5A-959087	46	ME 3100MI6	54	ME 360R7W	14	ME 420MIF9-JW	55
ME 100CAP	73	ME 3100MI7	54	ME 360R7W-L	14	ME 420P12W	20
ME 100FDAUX	61	ME 3100P4W	21	ME 40MS	65	ME 420P5W	20



# Service

## Index

Catalog No.	Page	Catalog No.	Page	Catalog No.	Page	Catalog No.	Page
ME 420P6W	20	ME 460C7W	23	ME 520C7W	22	ME 560P9W	21
ME 420P7W	20	ME 460C9W	23	ME 520C7W	22	ME 560R5W	14
ME 420P9W	20	ME 460MI12	52	ME 520C9W	22	ME 560R5W-L	14
ME 420R12W	12	ME 460MI5	52	ME 520C9W	22	ME 560R6W-L	14
ME 420R12W-L	12	ME 460MI7	52	ME 520CAP	73	ME 560R6W-L	25
ME 420R5W	12	ME 460MI9	52	ME 520CAP	73	ME 560R7W	14
ME 420R5W-L	12	ME 460MICB7-6	55	ME 520HMI9	56	ME 560R7W-L	14
ME 420R6W	12	ME 460MICB9-10	55	ME 520MI5	52	ME 560R9W	14
ME 420R6W-L	12	ME 460MIF12	53	ME 520MI7	52	ME 560R9W-L	14
ME 420R7W	12	ME 460MIF5	53	ME 520MI9	52	ME 6034NM	72
ME 420R7W-L	12	ME 460MIF7	53	ME 520MICB7-10	55	ME 60CAP	73
ME 420R9W	12	ME 460MIF7-JW	55	ME 520MICB9-10	55	ME 60FDAUX	53, 61, 64
ME 420R9W-L	12	ME 460MIF9	53	ME 520MIF5-JW	55	ME 60FDS3A	61
ME 420SLPMI12	57	ME 460MIF9-JW	55	ME 520MIF7-JW	55	ME 60MIFX	53
ME 420SLPMI5	57	ME 460P12W	21	ME 520MIF9-JW	55	ME 60MIX	52
ME 420SLPMI7	57	ME 460P5W	21	ME 520P5W	20	ME 60SLP2A-M2	62
ME 420SLPMI9	57	ME 460P6W	21	ME 520P5W	20	ME 60ST2A-M2	63
ME 430B12W	17	ME 460P6W-62334C	25	ME 520P6W	20	ME 60STF1A	64
ME 430B5W	17	ME 460P7W	21	ME 520P7W	20	ME 60XFDJSJ	61
ME 430B6W	17	ME 460P9W	21	ME 520P7W	20	ME 60XSLP-M2	62
ME 430B7W	17	ME 460R12W	14	ME 520P9W	20	ME 60XST2-M2	63
ME 430B9W	17	ME 460R12W-L	14	ME 520P9W	20	ME 60XSTF	64
ME 430C12W	22	ME 460R5W	14	ME 520R5W	12	ME 80AUX	52, 54, 60, 63, 74
ME 430C5W	22	ME 460R5W-L	14	ME 520R5W	13	ME 80MS2A-M2	60
ME 430C6W	22	ME 460R6W-L	14	ME 520R5W-L	12	ME 80MS2A-M2PSX	60
ME 430C6W	25	ME 460R6W-L	25	ME 520R5W-L	13	ME 80XMS1-M2	60
ME 430C7W	22	ME 460R7W	14	ME 520R6W	12	ME 80XMS2-M2	74
ME 430C9W	22	ME 460R7W-L	14	ME 520R6W-L	12	ME 100SLP3A-M2	62
ME 430MI12	52	ME 460R9W	14	ME 520R7W	12	ME 100SLP4A-M2	62
ME 430MI5	52	ME 460R9W-L	14	ME 520R7W	13	ME 100XSLP-M2	62
ME 430MI7	52	ME 5100B5W	19	ME 520R7W-L	12	ME MS1-RC	74
ME 430MI9	52	ME 5100B5W-L	19	ME 520R7W-L	13	ME MS2MF	74
ME 430MICB7-6	55	ME 5100B6W-L	19	ME 520R9W	12	ME MS2-RC	74
ME 430MICB9-10	55	ME 5100B7W	19	ME 520R9W	13	ME MS4-RC	74
ME 430MIF12	53	ME 5100B7W-L	19	ME 520R9W-L	12	ME MS5-RC	74
ME 430MIF5	53	ME 5100B9R	26	ME 520R9W-L	13	ME PG1	73
ME 430MIF7	53	ME 5100B9R-L	26	ME 520SLPMI5	57	ME ST1-RH	63
ME 430MIF9	53	ME 5100B9W	19	ME 520SLPMI5	57	ME ST2-RH	63
ME 430MIF7-JW	55	ME 5100B9W-L	19	ME 520SLPMI7	57	MSR 430MIF52W	70
ME 430MIF9	53	ME 5100C5W	23	ME 520SLPMI7	57	MSR 430MIS2W	71
ME 430MIF9-JW	55	ME 5100C6W	23	ME 520SLPMI9	57	MSR 460MIF52W	70
ME 430P12W	20	ME 5100C6W	25	ME 520SLPMI9	57	MSR 460MIS2W	71
ME 430P5W	20	ME 5100C7W	23	ME 530B6W	17	SLP1A-BLK	67
ME 430P6W	20	ME 5100C9M	27	ME 530C6W	22	SLP2A-BLK	67
ME 430P6W	25	ME 5100C9R	26	ME 530C6W	25	SLP3A-BLK	67
ME 430P7W	20	ME 5100C9W	23	ME 530P6W	20	SLPB1A	67
ME 430P9W	20	ME 5100MI5	54	ME 530P6W	25	SLPB1A-30.5	67
ME 430R12W	13	ME 5100MI7	54	ME 530R6W	13	SLPB2A	67
ME 430R12W-L	13	ME 5100MI9	54	ME 530R6W-L	13	SLPB2A-30.5	67
ME 430R5W	13	ME 5100P5W	21	ME 530R6W-L	25	SLPB3A	67
ME 430R5W-L	13	ME 5100P6W	20	ME 560B5W	18	SLPB3A-30.5	67
ME 430R6W	13	ME 5100P6W	20	ME 560B5W-L	18	SLPB4A	67
ME 430R6W-L	13	ME 5100P6W-62357C	25	ME 560B6W-L	18	SLPB4A-30.5	67
ME 430R6W-L	25	ME 5100P7W	21	ME 560B7W	18	SLPMI-BLK	67
ME 430R7W	13	ME 5100P9M	27	ME 560B7W-L	18		
ME 430R7W-L	13	ME 5100P9W	21	ME 560B9W	18		
ME 430R9W	13	ME 5100R5W	15	ME 560B9W	18		
ME 430R9W-L	13	ME 5100R5W-L	15	ME 560B9W-L	18		
ME 430SLPMI12	57	ME 5100R6W-L	15	ME 560C5W	23		
ME 430SLPMI5	57	ME 5100R6W-L	25	ME 560C6W	23		
ME 430SLPMI7	57	ME 5100R7W	15	ME 560C7W	23		
ME 430SLPMI9	57	ME 5100R7W-L	15	ME 560C9W	23		
ME 432SLPMI3	57	ME 5100R9M	27	ME 560MI5	52		
ME 460B12W	18	ME 5100R9M-L	27	ME 560MI7	52		
ME 460B12W-L	18	ME 5100R9W	15	ME 560MI9	52		
ME 460B5W	18	ME 5100R9W-L	15	ME 560MICB7-6	55		
ME 460B5W-L	18	ME 520B5W	16	ME 560MICB9-10	55		
ME 460B6W-L	18	ME 520B5W	17	ME 560MIF5	53		
ME 460B7W	18	ME 520B6W	16	ME 560MIF7	53		
ME 460B7W-L	18	ME 520B7W	16	ME 560MIF7-JW	55		
ME 460B9W	18	ME 520B7W	17	ME 560MIF9	53		
ME 460B9W-L	18	ME 520B9W	16	ME 560MIF9-JW	55		
ME 460C12W	23	ME 520B9W	17	ME 560P5W	21		
ME 460C5W	23	ME 520C5W	22	ME 560P6W	20		
ME 460C6W	23	ME 520C5W	22	ME 560P6W-62335C	25		
ME 460C6W	25	ME 520C6W	22	ME 560P7W	21		





# MENNEKES®

## Plugs for the world

Refer to our brochures and catalogs to keep up to date.  
Download the latest versions from our website in practical  
PDF format or request print copies by phone or E-Mail.



**North American Headquarters:**

**MENNEKES Electrical Products**

277 Fairfield Road  
USA-Fairfield, N.J. 07004  
Tel. 800-882-7584  
Fax 973-882-5585  
E-Mail [info@MENNEKES.com](mailto:info@MENNEKES.com)  
Internet [www.MENNEKES.com](http://www.MENNEKES.com)

**Worldwide Headquarters:**

**MENNEKES**

**Elektrotechnik GmbH & Co. KG**

**Industrial plugs and receptacles**

Aloys-Mennekes-Str. 1  
D-57399 Kirchhundem  
Tel. +49 (0) 27 23 / 41-1  
Fax +49 (0) 27 23 / 41-2 14  
E-Mail [info@MENNEKES.de](mailto:info@MENNEKES.de)  
Internet [www.MENNEKES.de](http://www.MENNEKES.de)

**Plant Neudorf:**

**MENNEKES**

**Elektrotechnik Sachsen GmbH**

MENNEKES Straße 1  
D-09465 Neudorf / Erzgebirge  
Tel. +49 (0) 3 73 42 / 8 62-0  
Fax +49 (0) 3 73 42 / 8 62-38  
E-Mail [info@MENNEKES-Sachsen.de](mailto:info@MENNEKES-Sachsen.de)

For further information, please visit our homepage:

**[www.MENNEKES.com](http://www.MENNEKES.com)**

Request brochures by phone at:

**800-882-7584**

Request brochures by E-Mail to:

**[info@MENNEKES.com](mailto:info@MENNEKES.com)**

Service by  
**MENNEKES®.**  
Always well  
informed.